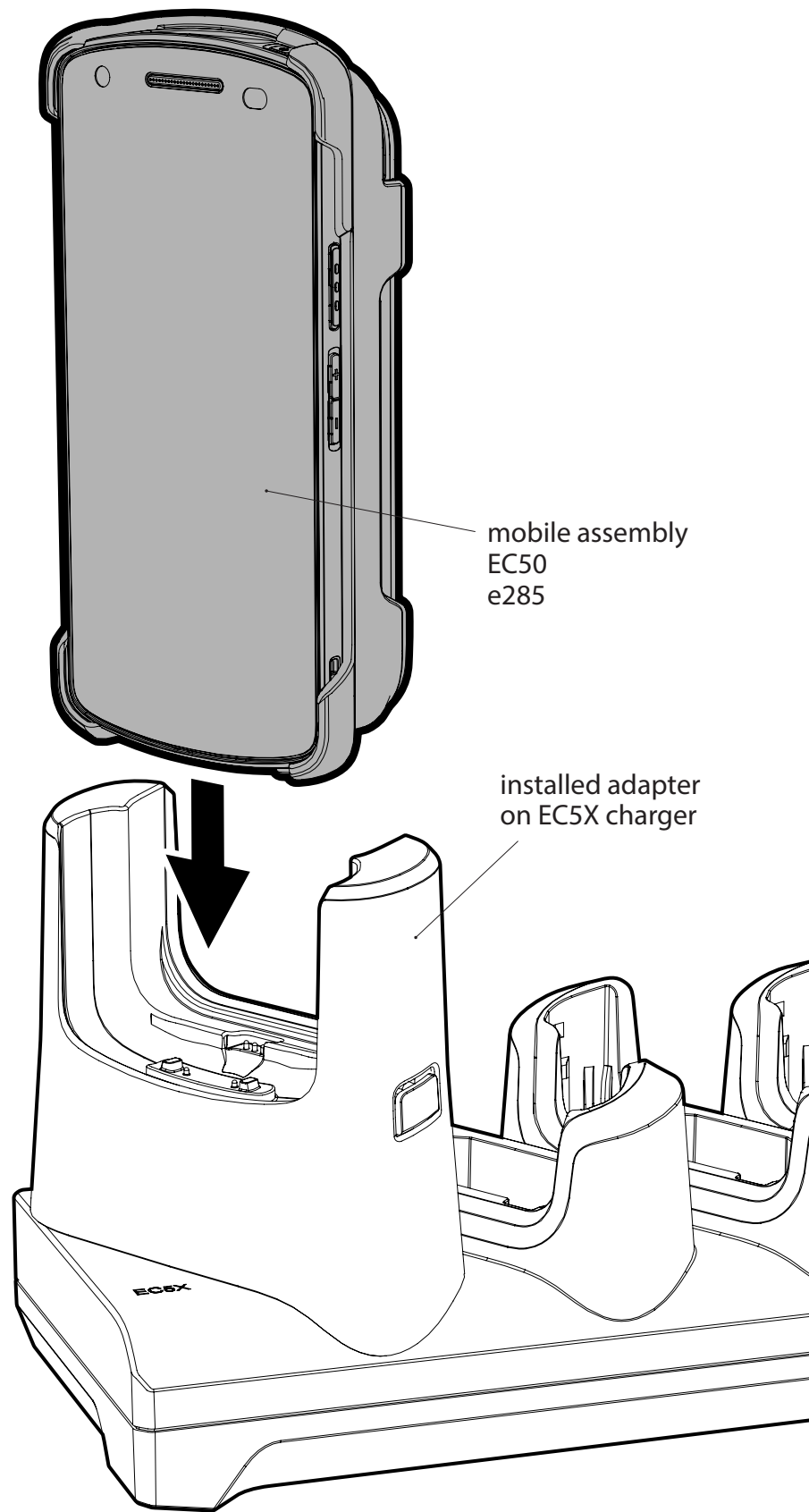


1

1. Install Charging Adapter

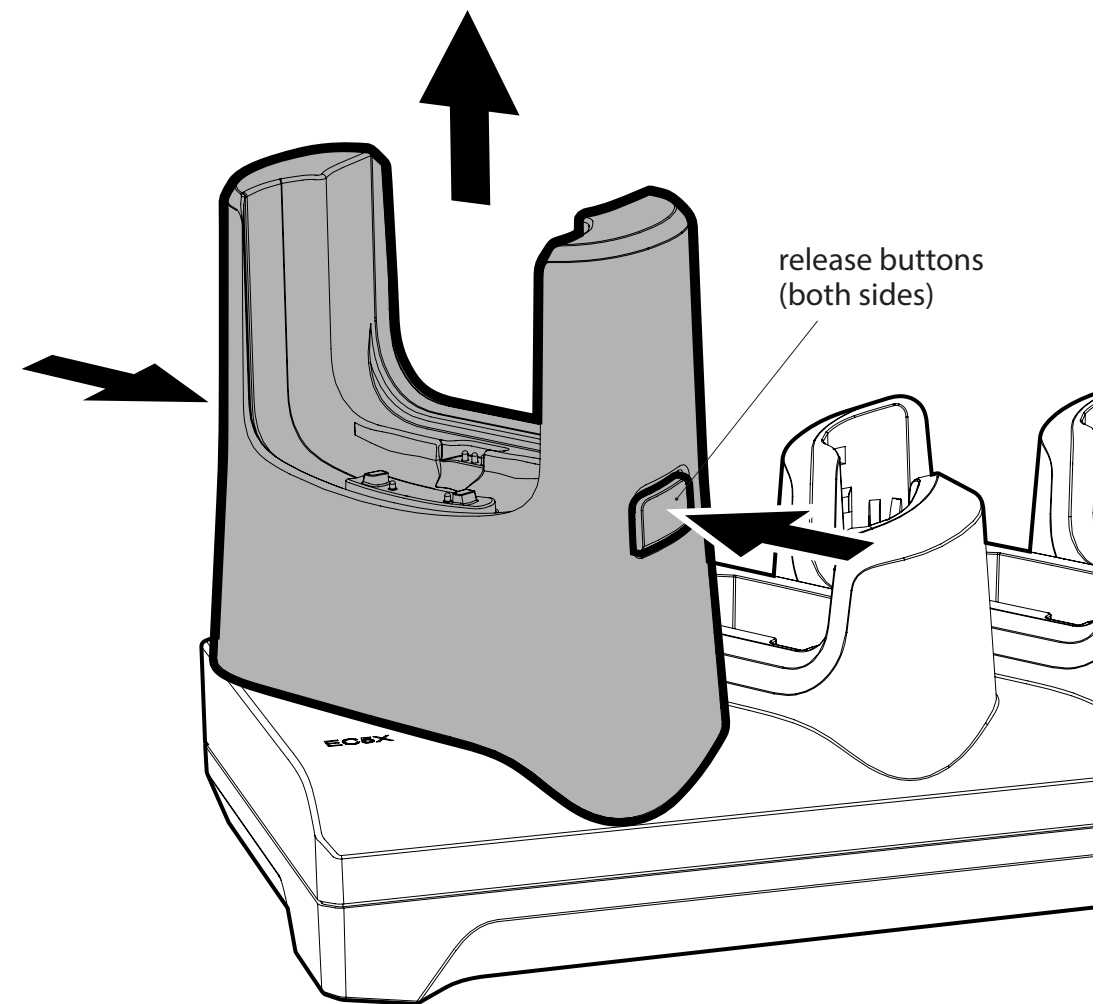
- ****NOTE**** Must remove insert(s) from EC5X charger before installing.
- Determine correct orientation and push adapter onto charger as shown.



2

2. Charging Mobile Assembly

- Determine correct orientation and set mobile assembly into charger
- Verify that both devices are charging with visible illuminated indicators



3

3. Removing Adapter from Charger

- Lightly press each release button on both sides of the charge adapter and pull up on adapter away from charger.