



MODULAR MOUNT

MM-1000 SERIES FOR NEW INSTALLATIONS

The challenge for retailers, warehouses and distribution centers when implementing technology is how to maximize limited space to mount that technology, while ensuring it is ergonomic and easy to use.

The exciting news is that the new MM-1000 Modular Mounting solution from ENS gives the user complete solution options to manage the space at their checkout or workstation.

The MM-1000 Modular Mount incorporates a new generation of engineered materials for a durable & strong, yet modern looking POS solution. Designed to be great value, easy to order, install.



MM-1000 FEATURES

- ✓ Uses the latest Engineered Polyamide Alloy materials for durability and industry leading design for today's markets
- ✓ Innovative cable management that is an industry first to hide and protect cables
- ✓ The ENS Pole allows full range of Device Installation heights on all four sides
- ✓ Tool-less tilt tensions adjustments on your Payment Terminal Mount
- ✓ Product Configurator to easily order exactly what you need

[Watch Product Video](#)

[Product Configurator](#)



ENSNAmerica@Havis.com | ENSROW@Havis.com | ENSLAmerica@Havis.com

Visit ens-co.com

Get in Touch ✓

MM-1000 SERIES FOR NEW INSTALLATIONS

LET OUR PRODUCT CONFIGURATOR CREATE YOUR POS SOLUTION

POLE & BASE OPTIONS



MONITOR MOUNT OPTIONS



OR...



OR...

SINGLE PIVOT with Channel Mount OR Channel Arm*

DOUBLE PIVOT with Channel Mount OR Channel Arm*

*Extension Arm is 8" (200mm) long

PAYMENT MOUNT OPTIONS



OR...



PLUS...
ADD:



FlexiPole Backplate

AND IF LOCKING IS
REQUIRED, ADD:



Ken00148 Tether

OR



SD0005 Latch

*Extension Arms are 8" (200mm) long

SUPPORTS ALL MAJOR PAYMENT DEVICES



MM-1000 SERIES FOR NEW INSTALLATIONS

LET OUR PRODUCT CONFIGURATOR CREATE YOUR POS SOLUTION

PRINTER MOUNT OPTIONS



Printer Mount - Small
(Use with Channel Arm* only)



Printer Mount - Medium
(Use with Channel Arm* only)



Printer Mount - Large
(Use with Channel Arm* only)

*Extension Arm is 8" (200mm) long

SCANNER MOUNT OPTION



Scanner Mount

Attaches to
75mm/100mm
VESA Monitors
from 15" (381mm) to
20" (508mm) wide

KEYBOARD MOUNT OPTION

Contact ENS for customized options

ACCESSORIES - LARGE CABLE BUNDLE COVER KIT



This kit is ideal under All-In-One Monitors or for other applications where multiple large cables need to be routed down the ENS Pole. It includes enough cable covers to accommodate any ENS Pole and includes a custom base cover with a pass-through opening. This kit accommodates cable bundles up to 1" (25mm) in diameter.

EXAMPLE CONFIGURATIONS



Single Monitor
Mount



Dual Monitor
Mount with
Printer Mount



Dual Monitor
Mount with
Payment Mount

MM-1000 SERIES FOR NEW INSTALLATIONS

PRODUCT NUMBERS AND DATA

MM-10-116

- ✓ 16" (406mm) Tall Pole with Round Base, 1.75" (45mm) Diameter Pole

- ✓ Shipping Dimensions: 4.82" L X 4.81" W X 21.25" D

- ✓ Shipping Weight (lbs/kg): 2.50/1.13

- Note: Our Free Standing Base option can be used with the 16" (406mm) Pole



MM-10-124

- ✓ 24" (610mm) Tall Pole with Round Base, 1.75" (45mm) Diameter Pole

- ✓ Shipping Dimensions: 4.82" L X 4.81" W X 29.25" D

- ✓ Shipping Weight (lbs/kg): 3.50/1.59



MM-10-101

- ✓ 16" (406mm) Tall Pole with Rectangular Base, 1.75" (45mm) Diameter Pole

- ✓ Shipping Dimensions: 6.75" L X 2.63" W X 16.5" D

- ✓ Shipping Weight (lbs/kg): 2.75/1.25



MM-10-102

- ✓ 24" (610mm) Tall Pole with Rectangular Base, 1.75" (45mm) Diameter Pole

- ✓ Shipping Dimensions: 6.75" L X 2.63" W X 24.5" D

- ✓ Shipping Weight (lbs/kg): 3.80/1.73



MM-1000 SERIES FOR NEW INSTALLATIONS

PRODUCT NUMBERS AND DATA

MM-10-199

- ✓ Free Standing Base
- ✓ Shipping Dimensions: 14" L X 14" W X 2" D
- ✓ Shipping Weight (lbs/kg): 10.1/4.6



MM-10-202 (for payment only)

- ✓ Collar Arm 8" (200mm), use with existing 45mm Dia Poles, Rotates up to 320 degrees
- ✓ Shipping Dimensions: 5.13" L X 3.62" W X 8.0" D
- ✓ Shipping Weight (lbs/kg): 3.00/1.36
- ✓ Use for positioning your Payment Terminal Mount away from your existing pole and adding side to side movement



Up to 320°*
Rotation

MM-10-203

- ✓ Channel Mount, use with New ENS MM-10-1XX Poles only
- ✓ Shipping Dimensions: 4.56" L X 4.56" W X 3.56" D
- ✓ Shipping Weight (lbs/kg): .36/.16
- ✓ Use for attaching Single or Double Pivot Monitor Mount close to ENS Pole MM-10-1XX



MM-1000 SERIES FOR NEW INSTALLATIONS

PRODUCT NUMBERS AND DATA

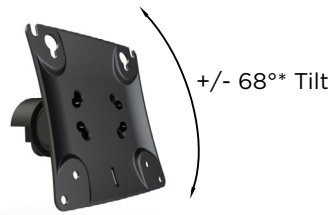
MM-10-204

- ✓ Channel Arm 8" (200mm), use with New ENS MM-10-1XX Poles only
- ✓ Shipping Dimensions: 5.13" L X 3.62" W X 8.0" D
- ✓ Shipping Weight (lbs/kg): .73/.33
- Use for positioning your Payment Terminal and Printer
- ✓ Mount away from your existing pole. May also be used to extend your Monitor Mount away from the pole
- ✓ Required for all Payment and Printer Mounts



MM-10-301

- ✓ Monitor Mount, Single Pivot (up/down), for 75/100mm VESA compliant Monitors
- ✓ Shipping Dimensions: 4.56" L X 4.56" W X 3.56" D
- ✓ Shipping Weight (lbs/kg): .89/.40
- ✓ Max Monitor Weight: 15 lbs



MM-10-302

- ✓ Monitor Mount, Double Pivot (up/down and Left/Right), for 75/100mm VESA compliant Monitors
- ✓ Shipping Dimensions: 4.56" L X 4.56" W X 5.56" D
- ✓ Shipping Weight (lbs/kg): 1.16/.53
- ✓ Max Monitor Weight: 15 lbs



MM-10-401

- ✓ Payment Terminal Mount, Includes Plinth for all Tailwind FlexiPole Backplates
- ✓ Shipping Dimensions: 5.06" L X 4.62" W X 8.06" D
- ✓ Shipping Weight (lbs/kg): .76/.34
- ✓ Add any FlexiPole Backplate to complete this product
- Note: To mount an ENS Stand Metal Conversion, use product MM-10-402 & contact ENS Sales for proper Conversion part number



*Tilt/rotation limits are subject to Monitor size and position on pole.

MM-1000 SERIES FOR NEW INSTALLATIONS

PRODUCT NUMBERS AND DATA

MM-10-501

- ✓ Printer Mount, Small, for Printers with bases up to 5.7" (145mm) Wide X 6" (153mm) Deep
- ✓ Shipping Dimensions: 7.13" L X 7.13" W X 3.88" D
- ✓ Shipping Weight (lbs/kg): 1.19/.54



Up to 180°
Rotation

MM-10-505

- ✓ Printer Mount, Medium, for Printers with bases up to 7.9" (201mm) Wide X 5.9" (151mm) Deep
- ✓ Shipping Dimensions: 9" L X 7" W X 3" D
- ✓ Shipping Weight (lbs/kg): 2/.91x



Up to 180°
Rotation

MM-10-502

- ✓ Printer Mount, Large, for Printers with bases up to 7.8" (198mm) Wide X 11.26" (286mm) Deep
- ✓ Shipping Dimensions: 12.63" L X 8.13" W X 3.88" D
- ✓ Shipping Weight (lbs/kg): 2.61/1.18



Up to 180°
Rotation

MM-10-601

- ✓ Scanner Mount, for Hand-held Scanners - works with VESA Monitors 15" (381mm) to 20" (508mm) wide
- ✓ Shipping Dimensions: 5.18" L X 4.50" W X 10.38" D
- ✓ Shipping Weight (lbs/kg): 3.14/1.42



MM-10-901

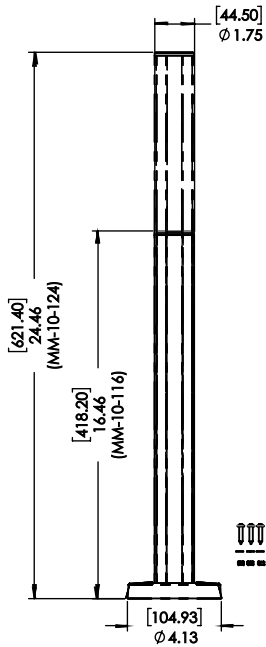
- ✓ Large Cable Bundle Cover Kit, use with New ENS MM-10-1XX Poles only. Works for any length Pole.
- ✓ Shipping Dimensions: 12" L X 4" W X 4" D
- ✓ Shipping Weight (lbs/kg): 0.50/0.23



*Tilt/rotation limits are subject to Monitor size and position on pole.

MM-1000 SERIES FOR NEW INSTALLATIONS

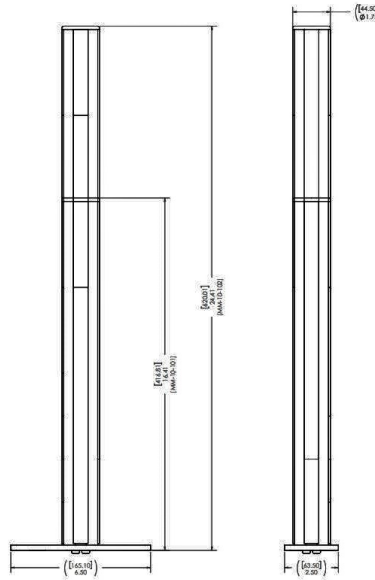
PRODUCT DIMENSIONS



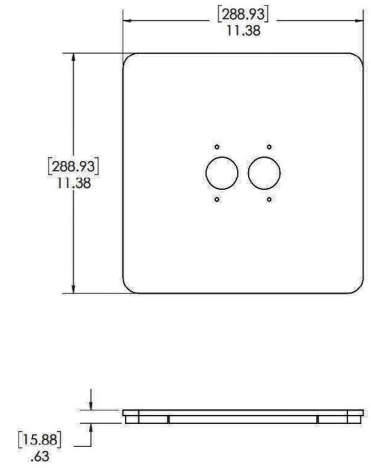
Pole & Round Base
16" OR 24"



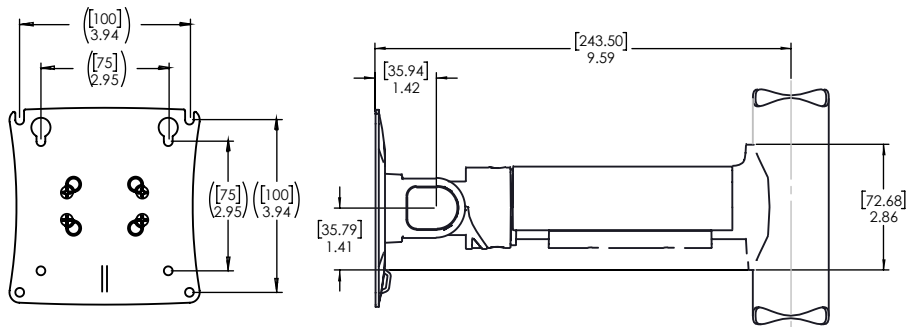
INCLUDED HARDWARE:
4X M5 X 70mm PHILLIPS SCREWS
4X #10 X 1.00" PHILLIPS SCREWS
4X STEEL WASHERS
4X M5 NUTS



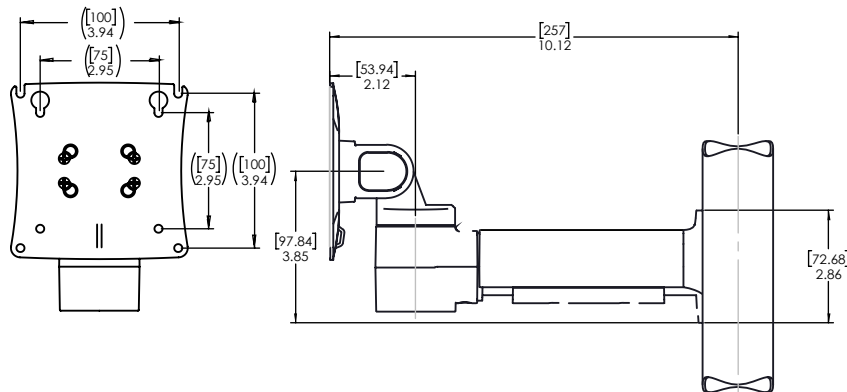
Pole & Rectangular Base
16" OR 24"



Free Standing Base Option
For use with 16" Round Base Only



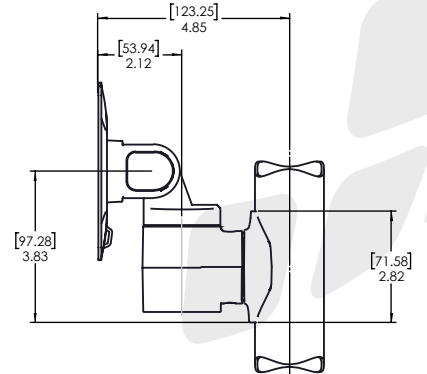
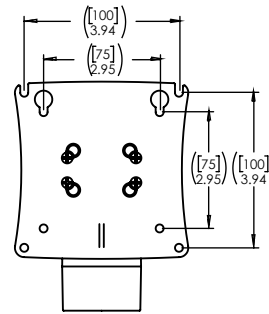
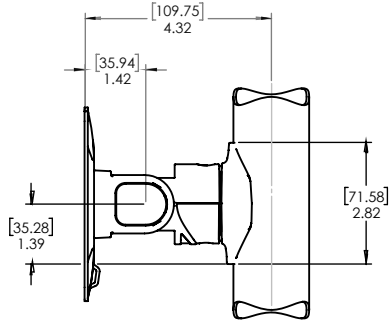
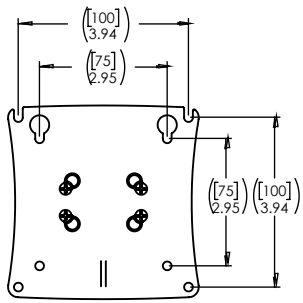
Single Pivot Monitor Arm



Double Pivot Monitor Arm

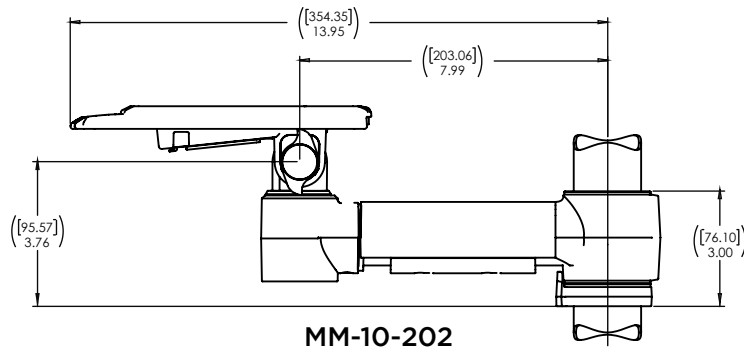
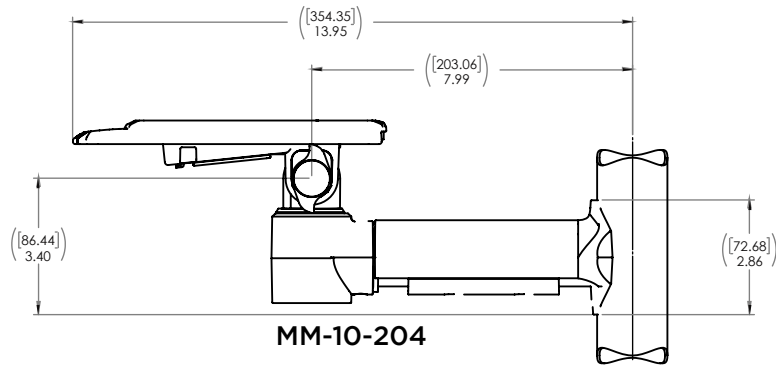
MM-1000 SERIES FOR NEW INSTALLATIONS

PRODUCT DIMENSIONS



Single Pivot Monitor Mount

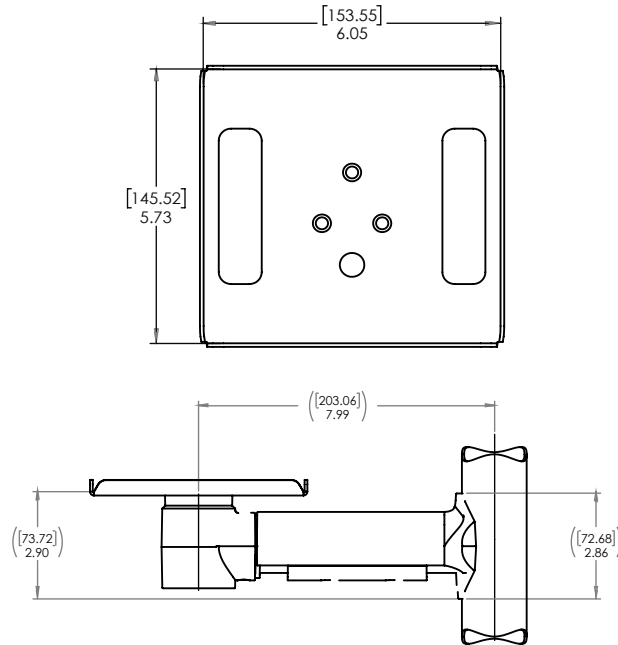
Double Pivot Monitor Mount



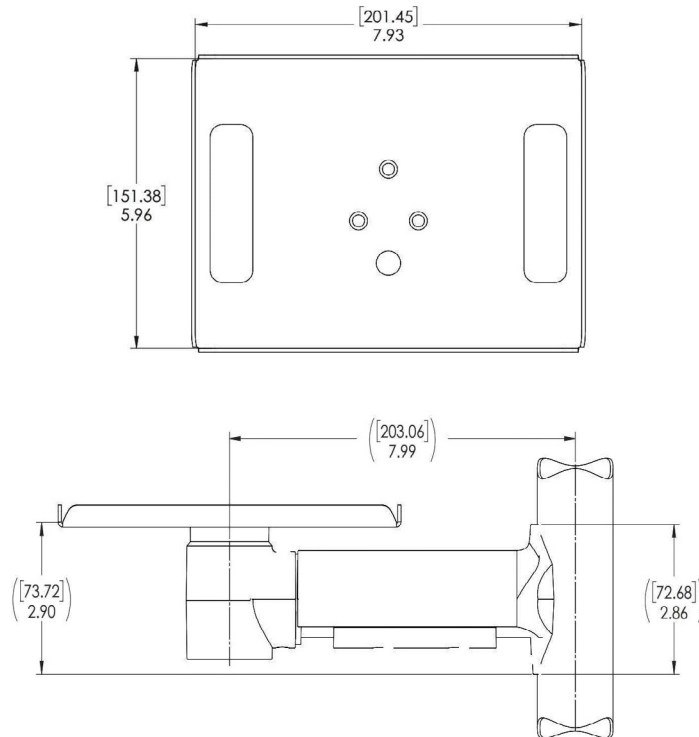
Payment Terminal Mount

MM-1000 SERIES FOR NEW INSTALLATIONS

PRODUCT DIMENSIONS



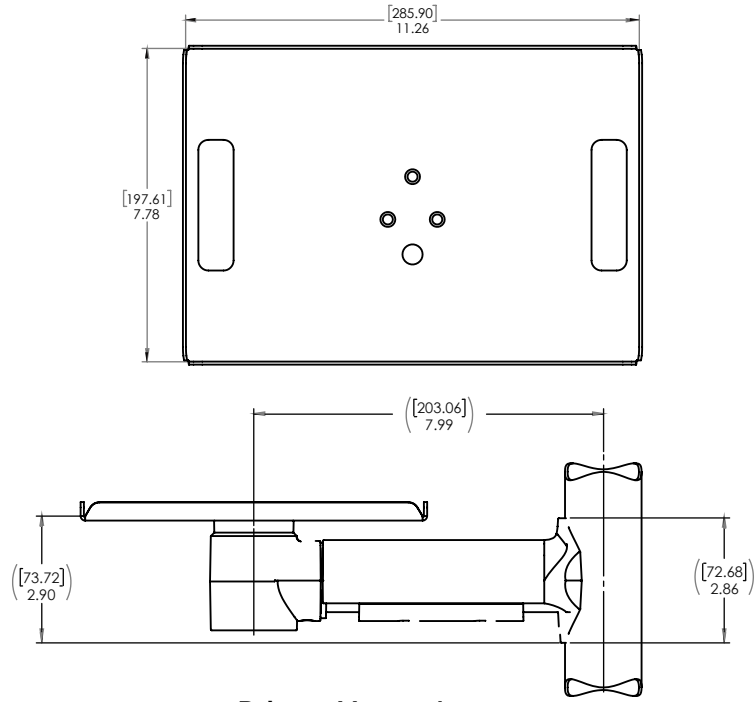
Printer Mount, Small



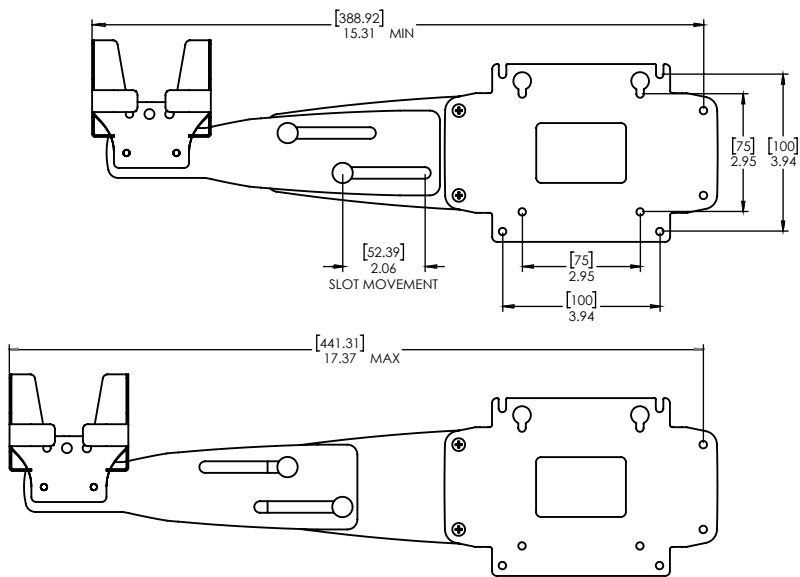
Printer Mount, Medium

MM-1000 SERIES FOR NEW INSTALLATIONS

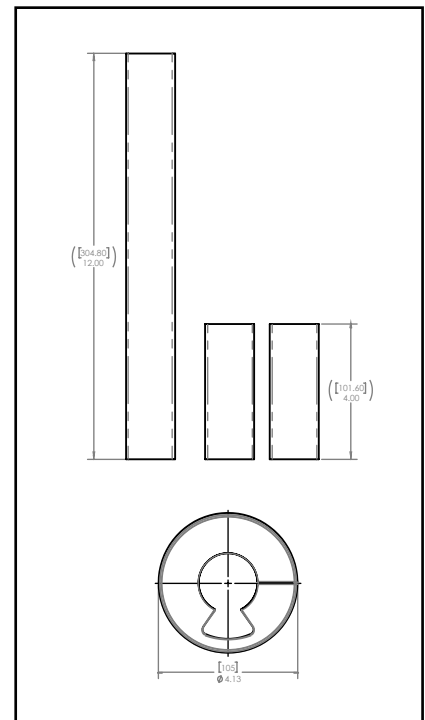
PRODUCT DIMENSIONS



Printer Mount, Large

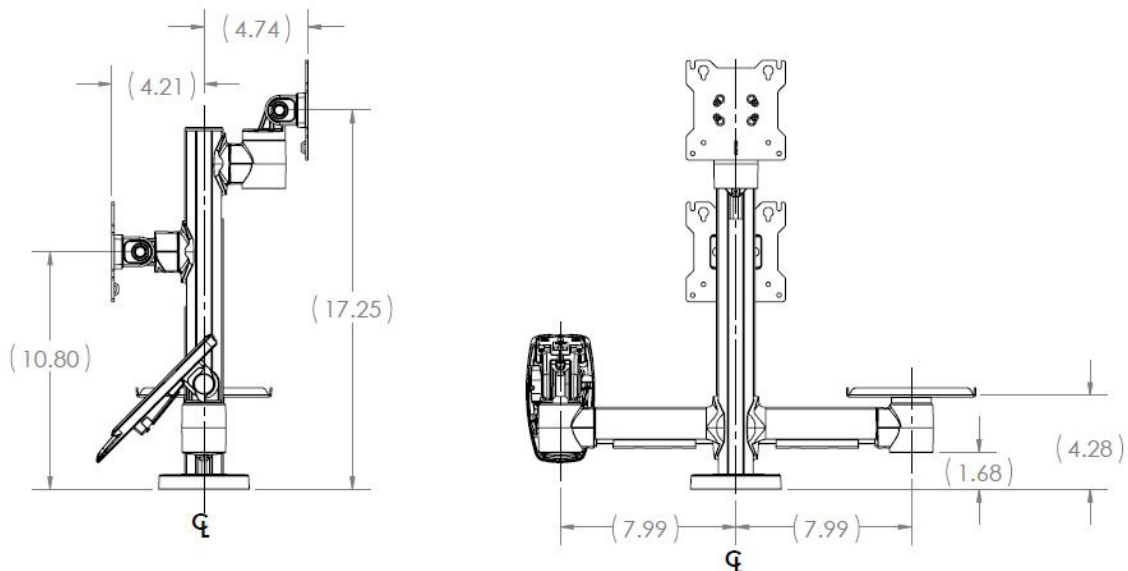
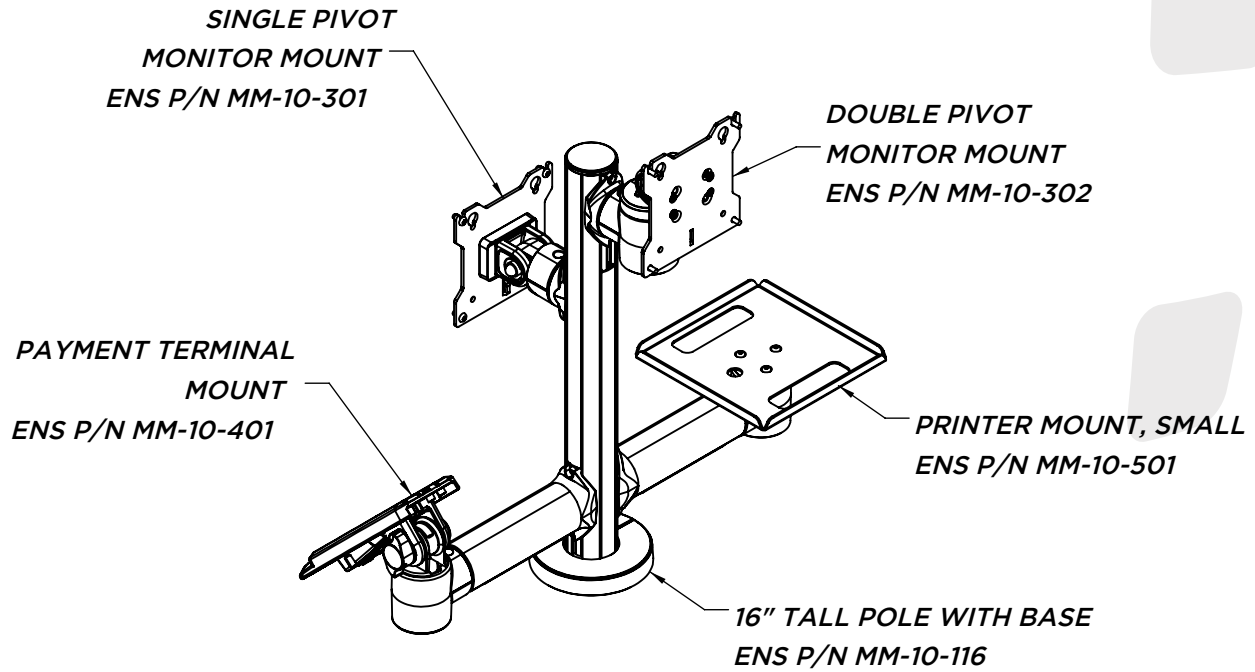


Scanner Mount

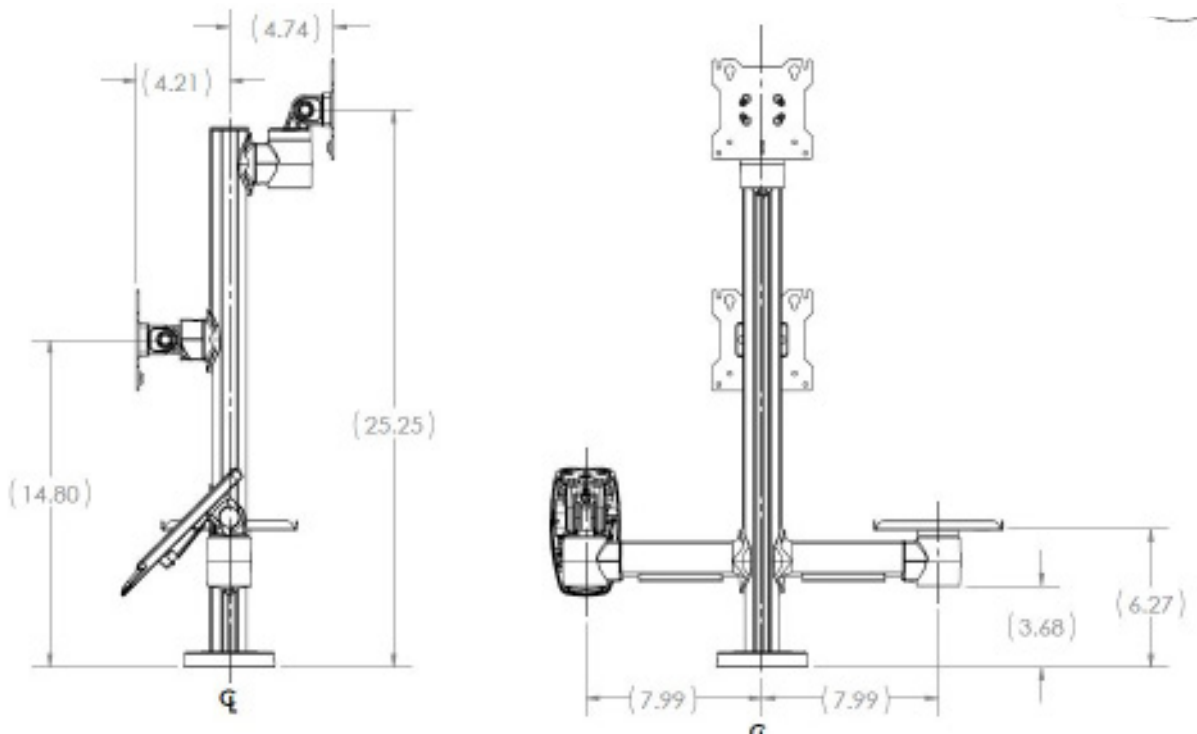
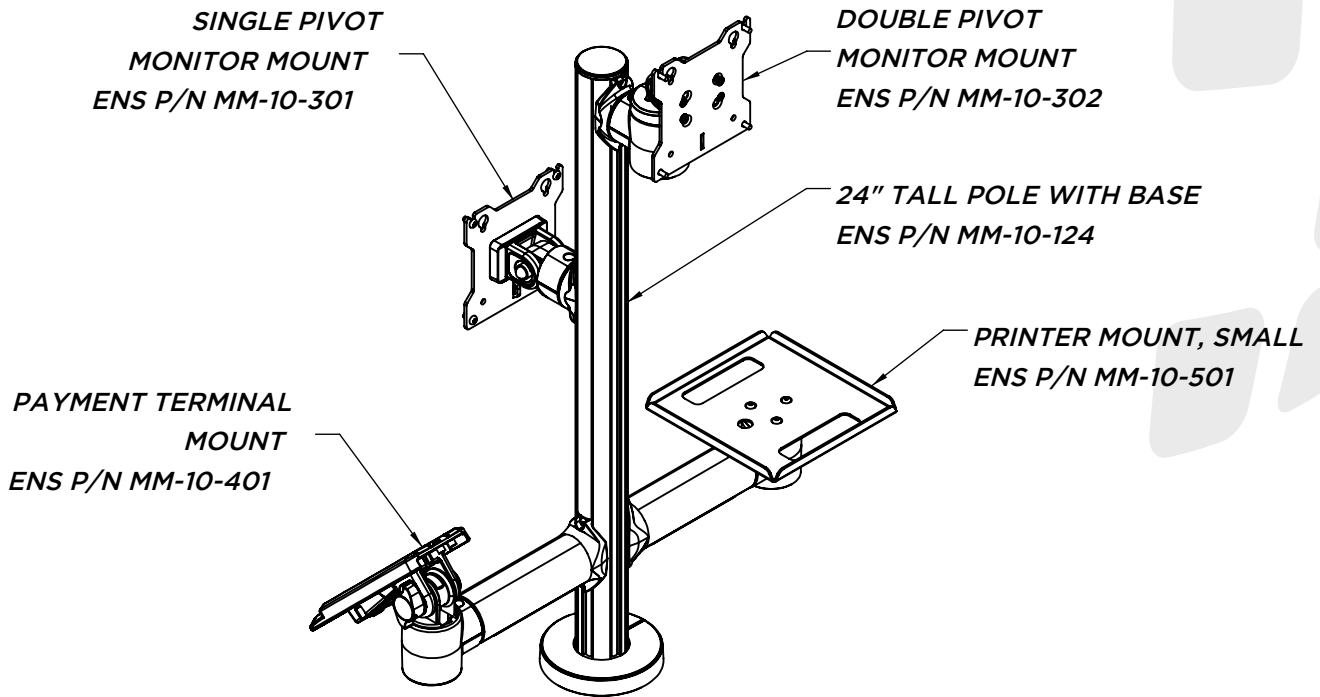


Large Cable Bundle Kit

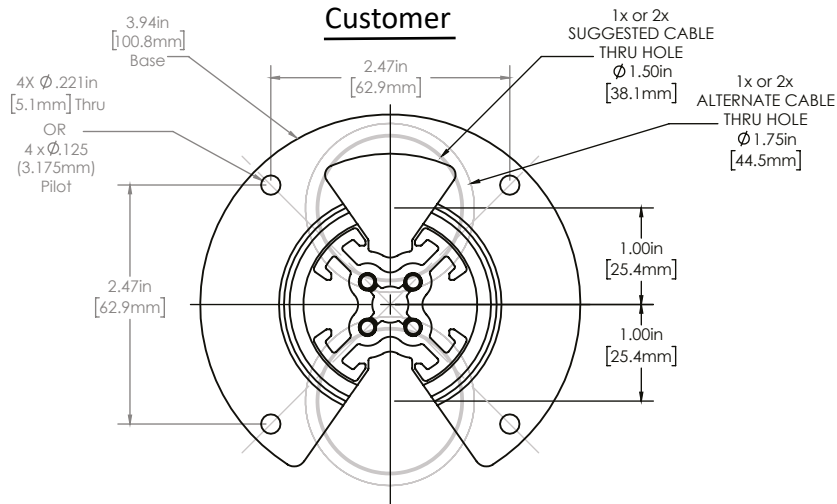
16" SAMPLE CONFIGURATION



24" SAMPLE CONFIGURATION



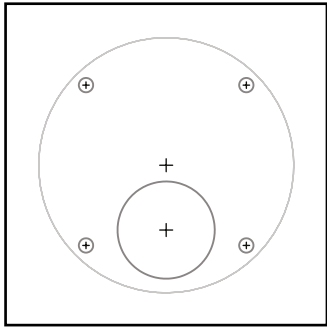
MM-10-116 & MM-10-124
POLE & ROUND BASE DRILL GUIDES



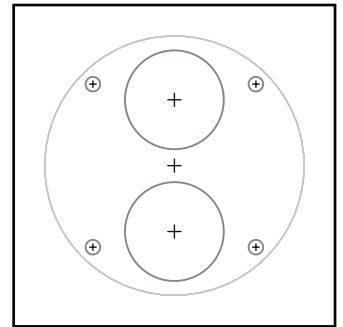
Customer

Associate

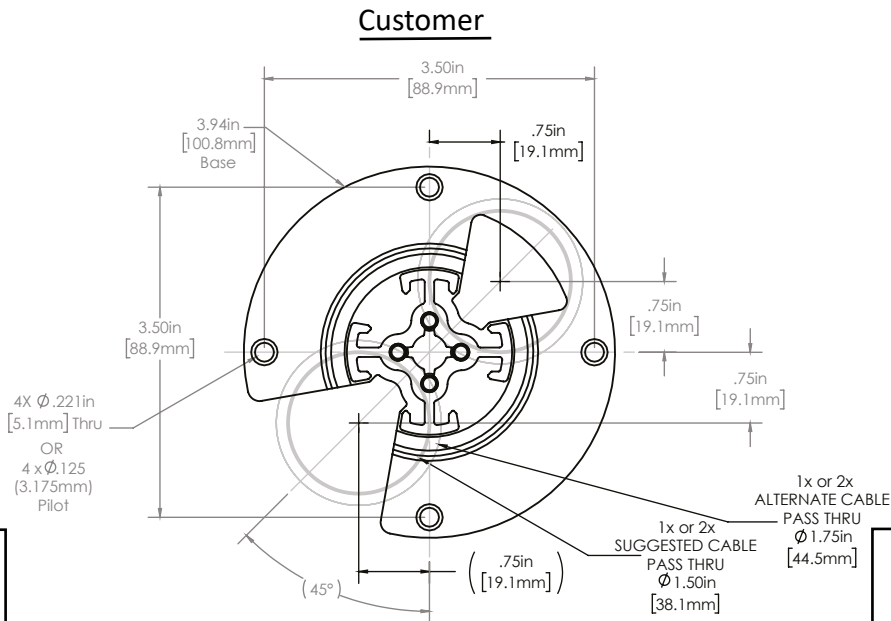
**Straight Pole
 Drill Guide**



**Single Monitor
 Applications**



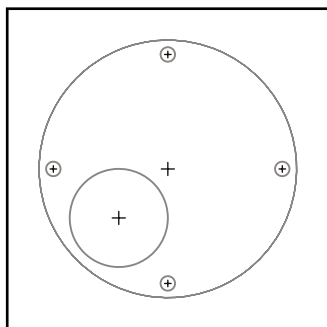
**Dual Monitor
 Applications**



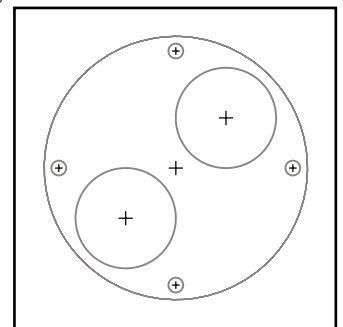
Customer

Associate

**Rotated Pole
 Drill Guide**



**Single Monitor
 Applications**



**Dual Monitor
 Applications**



MM-10-116 & MM-10-124 POLE & RECTANGLE BASE DRILL GUIDES

