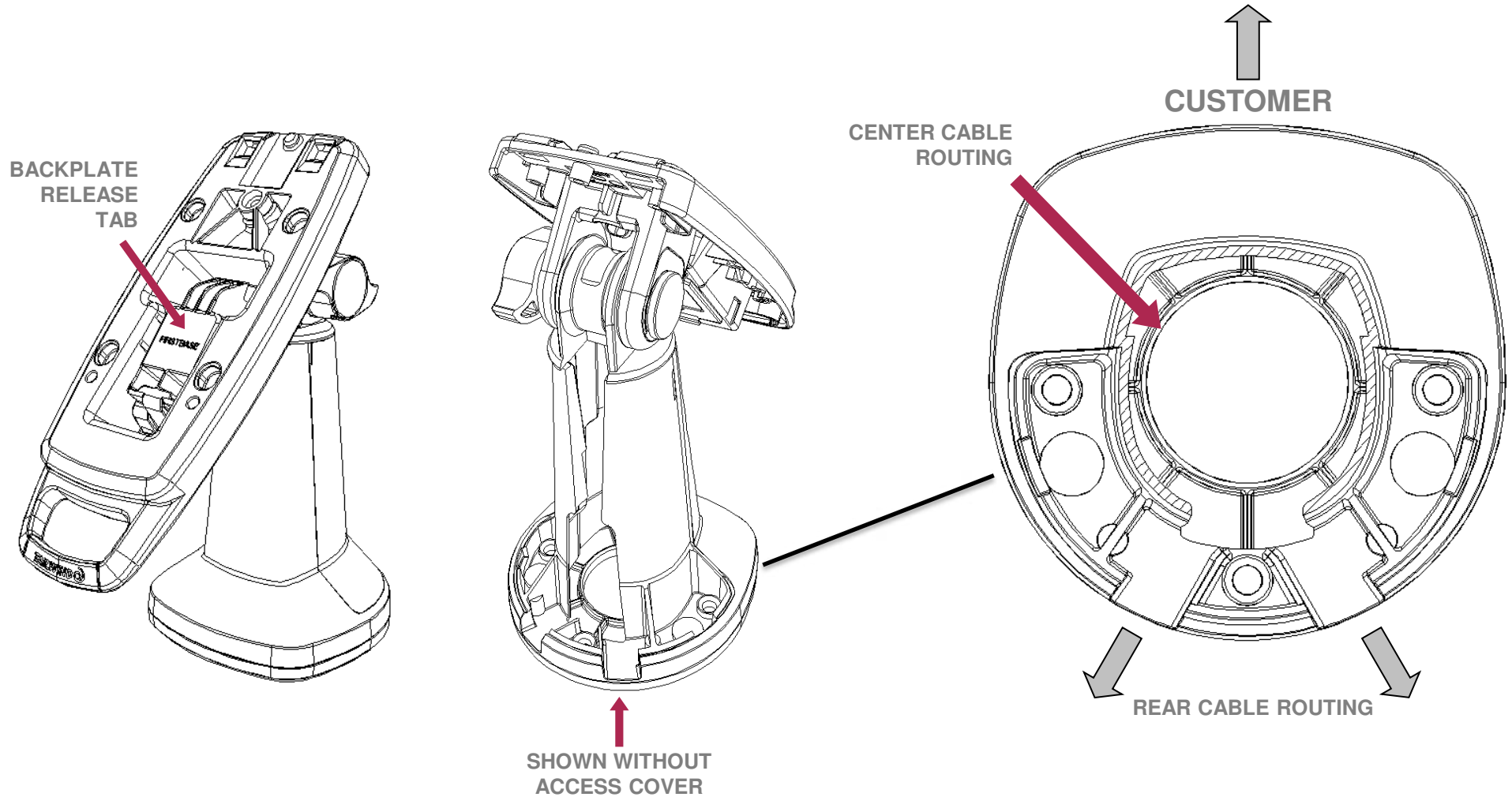


# FlexiPole Plus (Quick Release) Tablet Mount

## Quick Installation Guide



# FlexiPole Plus (Quick Release) Tablet Mount

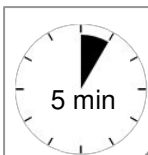
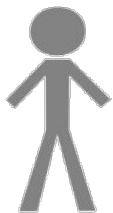
## Quick Installation Guide

### TOOLS

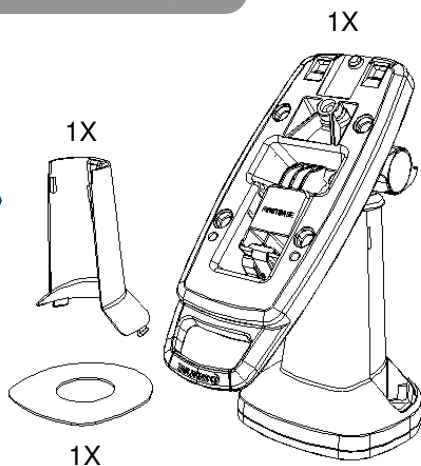
- 1) Phillips screwdriver
- 2) Drill if mounting to surface with screws  
Use qualified personnel

#### Note

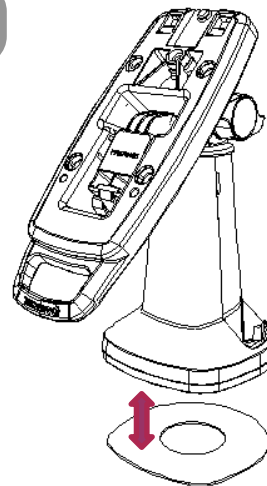
No drill required if using adhesive pad provided.



### PARTS



1

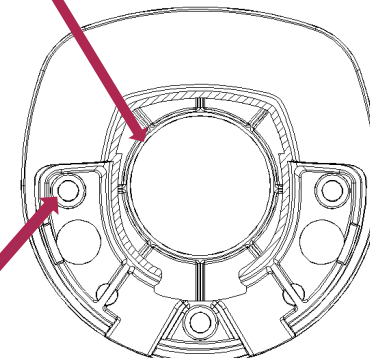


Drill hole to route  
Cable thru counter  
40mm diameter max

#### Note

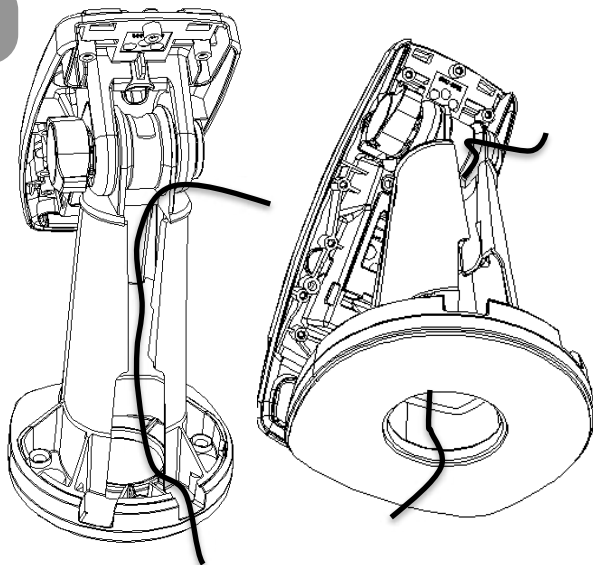
For screw mount – use stand as a template. Drill/screwdriver will be required. Use qualified personnel.

3X Mounting holes  
Use appropriate #8  
flat head screws for  
the surface being  
mounted to



Top View

2



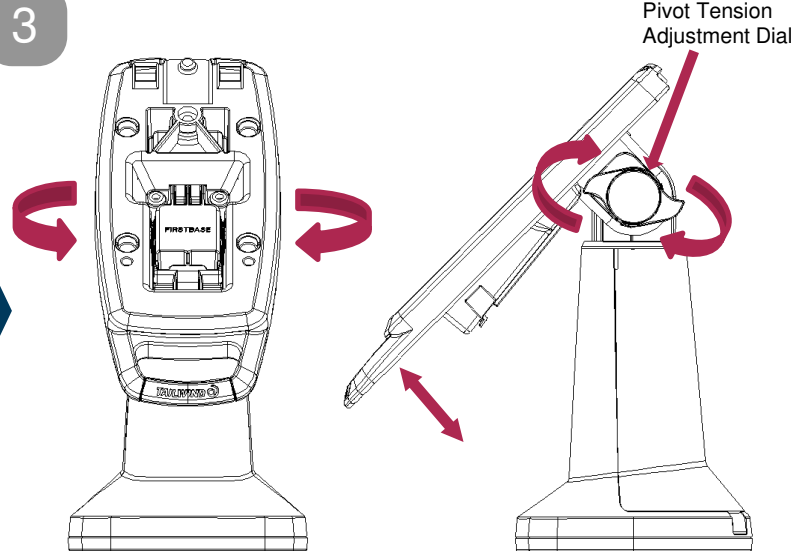
Cable routing option 1

Cable routing option 2

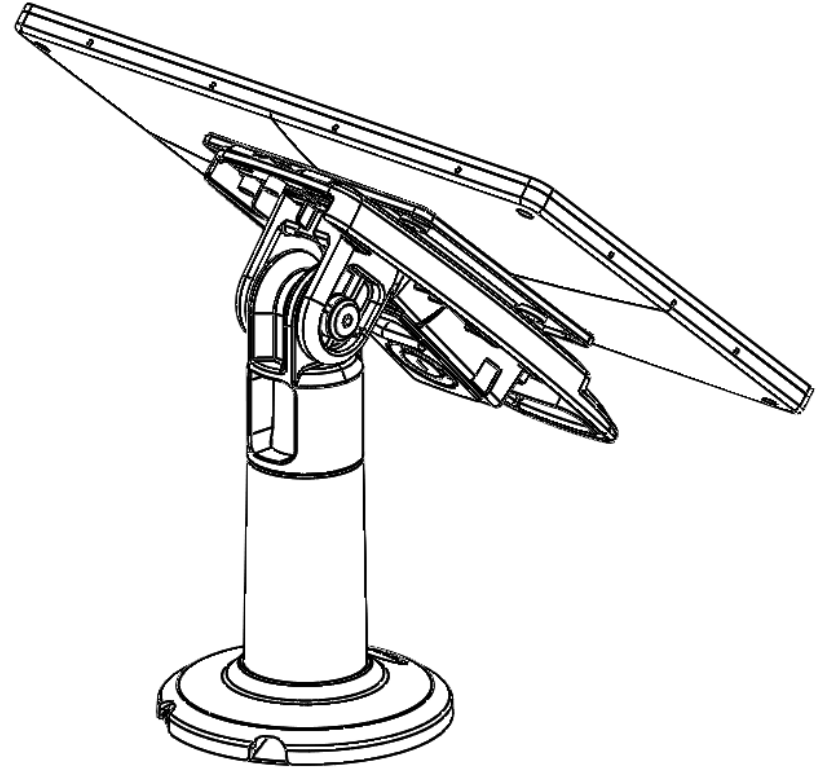
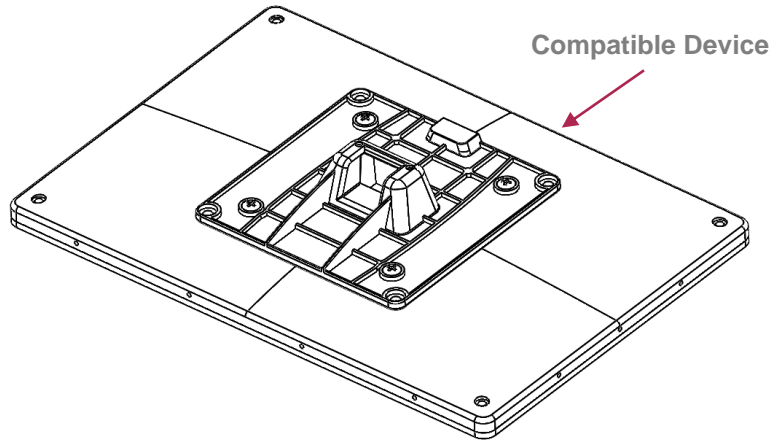
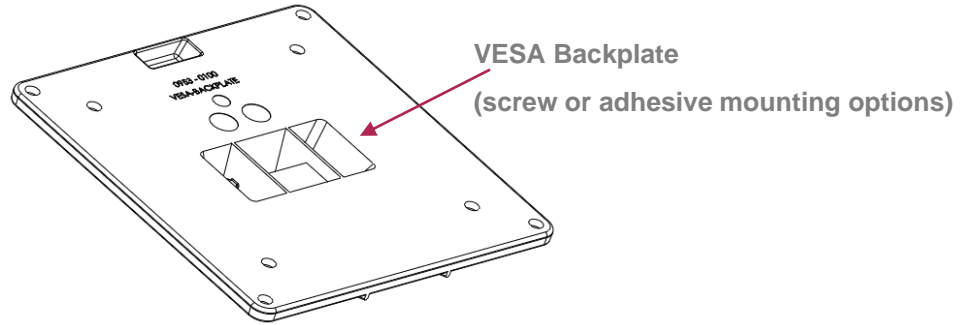
#### Important Note

To fit back cover first engage lower clips, second engage top clips.

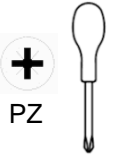
3



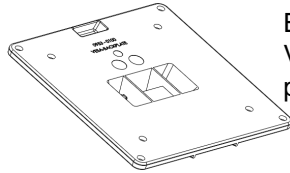
Pivot Tension  
Adjustment Dial



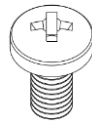
## TOOLS



## PARTS

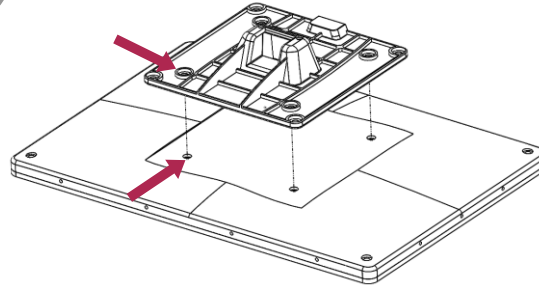


1 x VESA Backplate (with VHB adhesive pad)



4 x M4x8mm screws

1



Step 1

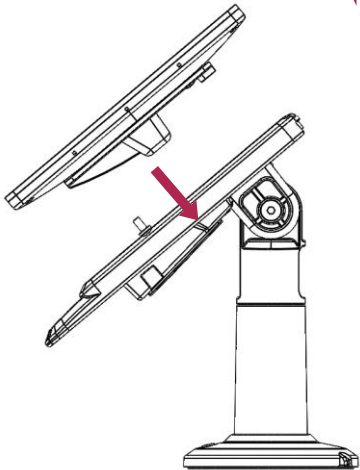
Align holes of VESA backplate with corresponding mounting holes of device.

Or fix to device at desired orientation with VHB pad

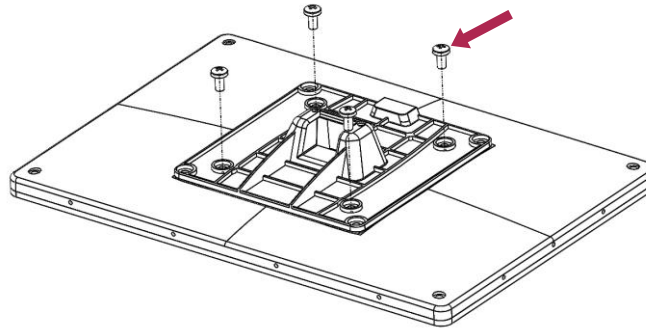
3

Step 3

Fit device onto stand. Press firmly until click.



2



Step 2

If fitting with screws use screwdriver to hand tighten.

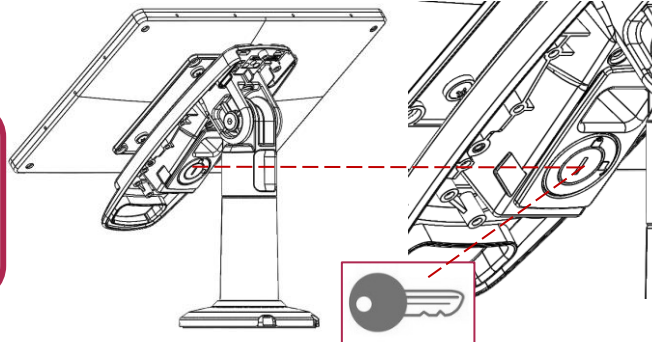
(M4 screws supplied. For other sizes refer to display manufacturer handbook)

## OPTIONAL

### SAFEBASE OPTION

To lock device, turn key clockwise then remove key.

To unlock, turn counter-clockwise.



To remove device

