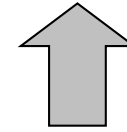


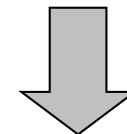
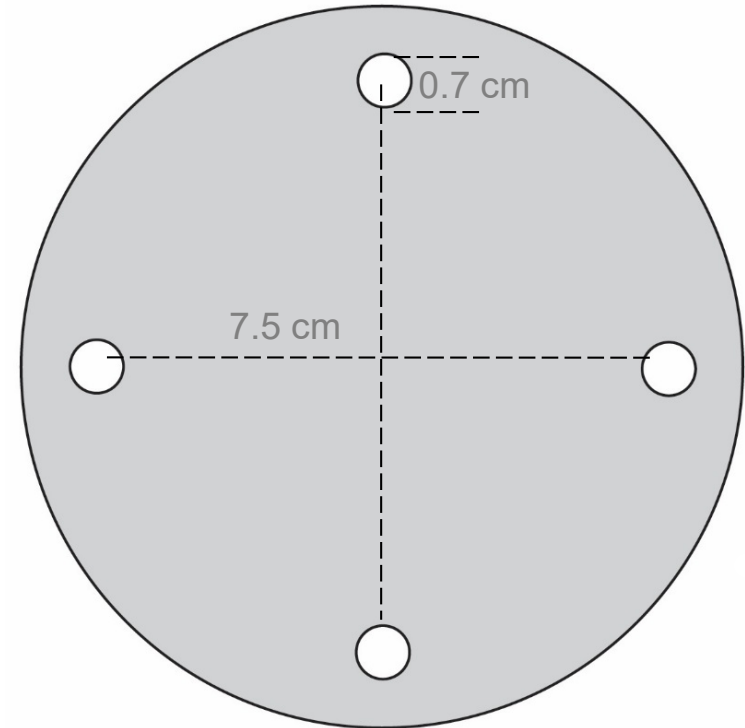
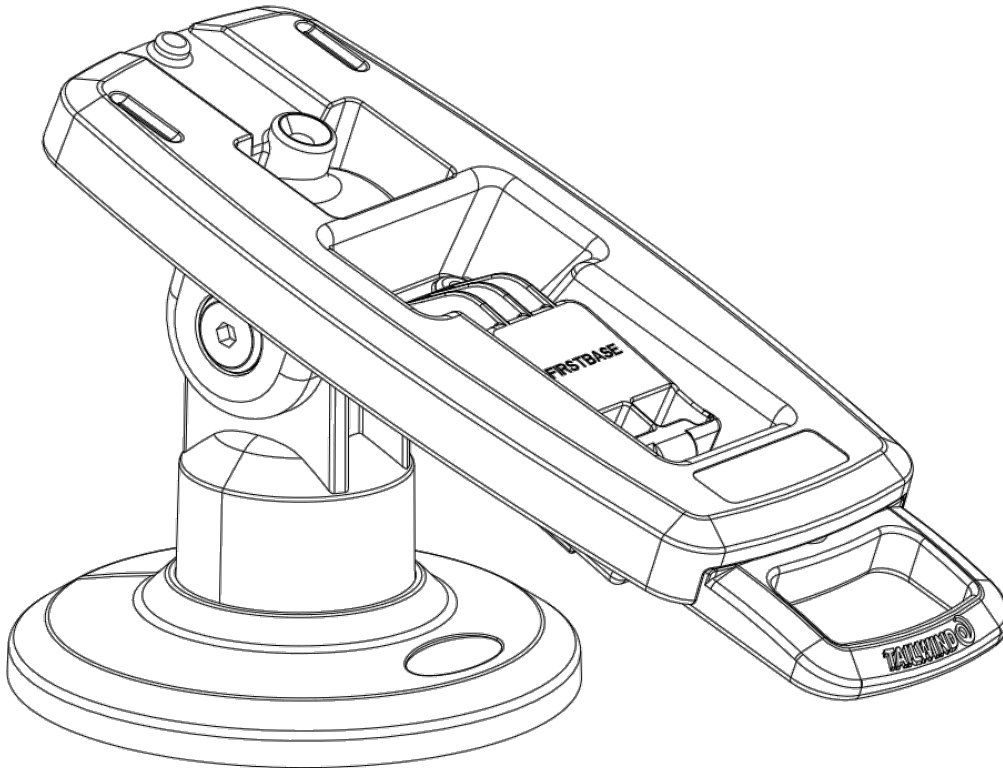
# FlexiPole Compact Tablet Mount

Quick Installation Guide - TAB60121 + TAB90121

DRILL TEMPLATE



CABLES




CUSTOMER

# FlexiPole Compact Tablet Mount


Quick Installation Guide - TAB60121 + TAB90121



### TOOLS

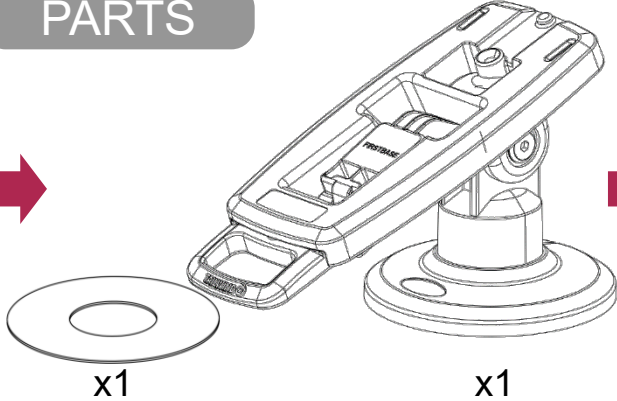


**NOTE**  
If using drill template must use qualified personnel



5 min

### PARTS

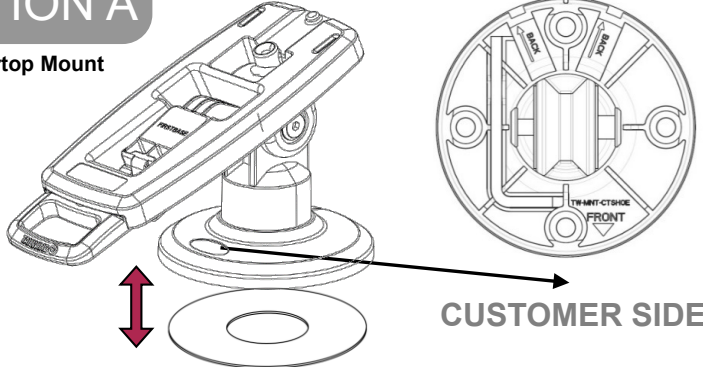


x1

x1

### OPTION A

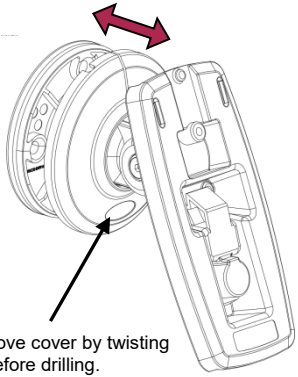
Countertop Mount



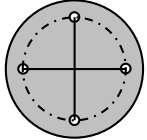
CUSTOMER SIDE

### OPTION B

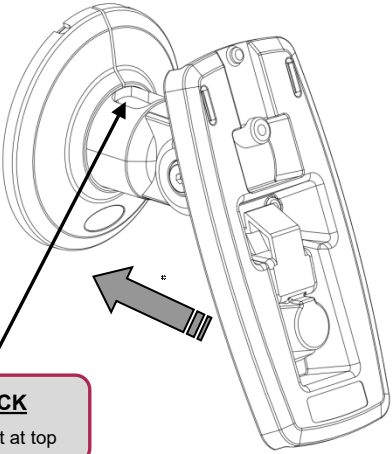
Wall Mount



Remove cover by twisting off before drilling.



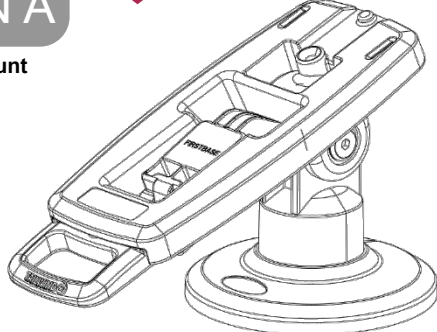
**NOTE**  
For wall mount – use drill template supplied. Extra tools will be required. Use qualified personnel.



**CHECK**  
Cable slot at top

### OPTION A

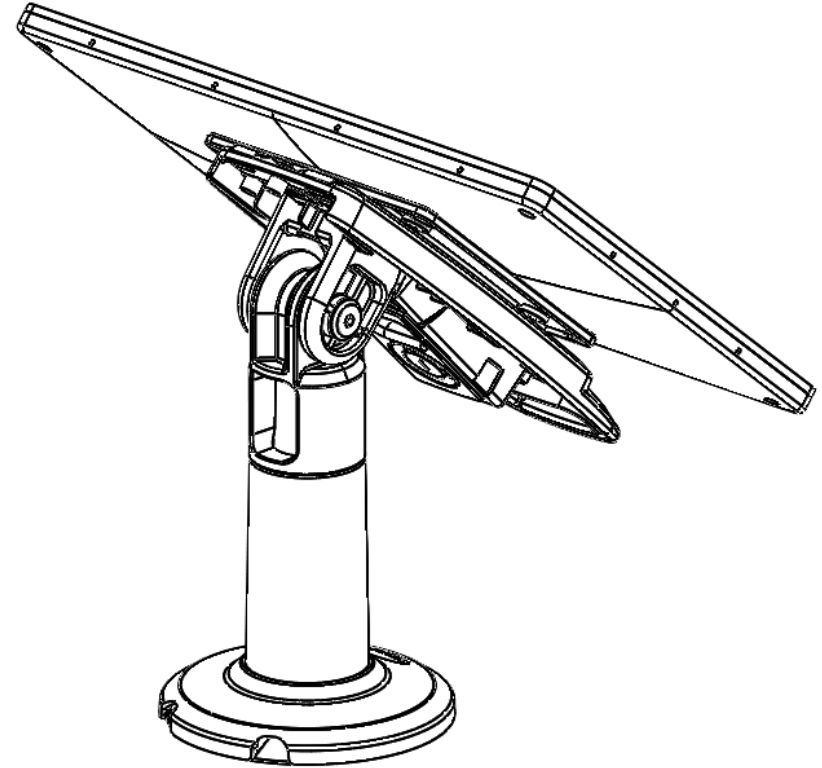
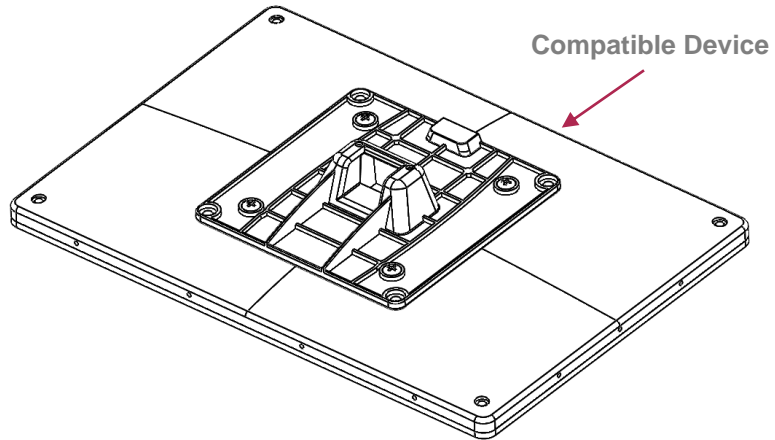
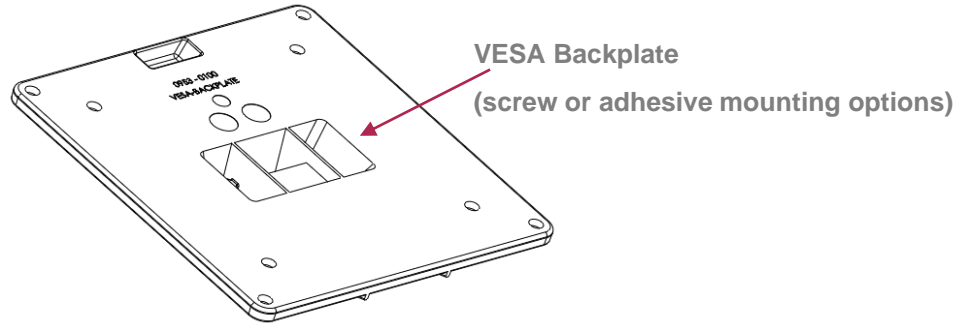
Countertop Mount



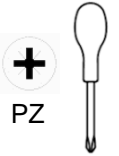
Push down

**CHECK**  
Cable slot not facing customer side

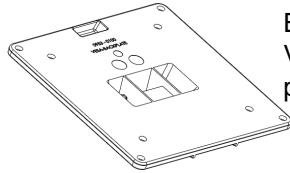
CUSTOMER SIDE



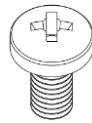
## TOOLS



## PARTS

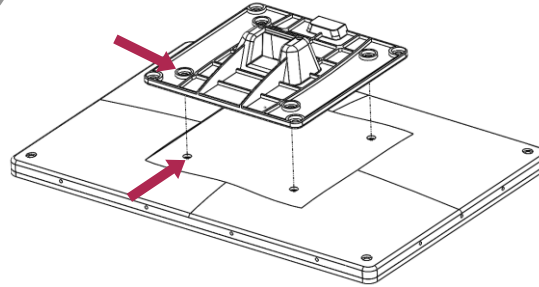


1 x VESA Backplate (with VHB adhesive pad)



4 x M4x8mm screws

1



Step 1

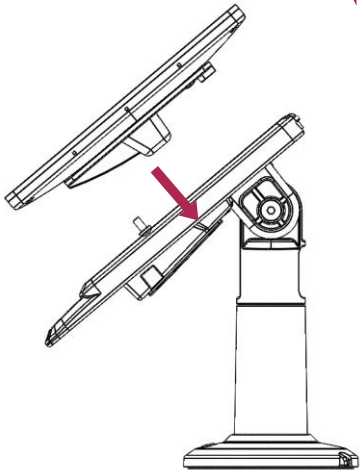
Align holes of VESA backplate with corresponding mounting holes of device.

Or fix to device at desired orientation with VHB pad

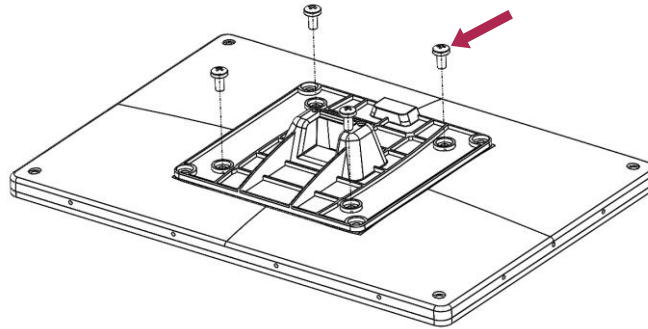
3

Step 3

Fit device onto stand. Press firmly until click.



2



Step 2

If fitting with screws use screwdriver to hand tighten.

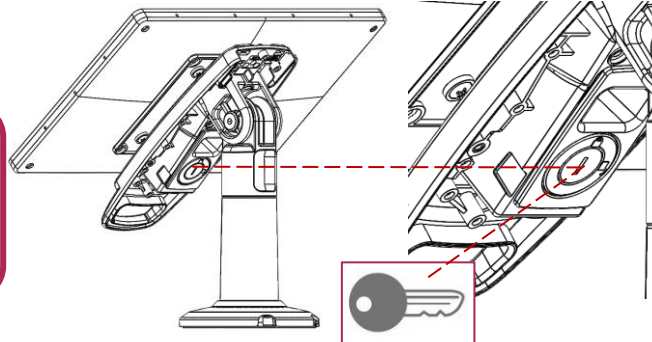
(M4 screws supplied. For other sizes refer to display manufacturer handbook)

## OPTIONAL

### SAFEBASE OPTION

To lock device, turn key clockwise then remove key.

To unlock, turn counter-clockwise.



To remove device

