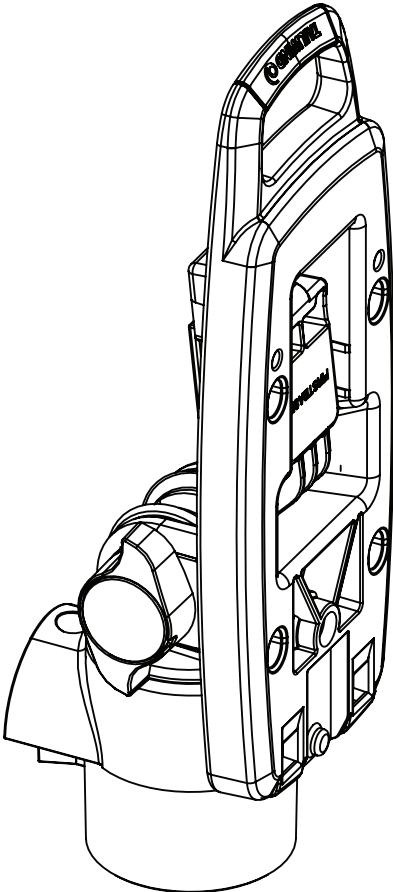


ENS Group **MM-10-401** Instructions
PARTS INCLUDED



Payment Device Mount



M4 x 20mm
Socket Head Screw

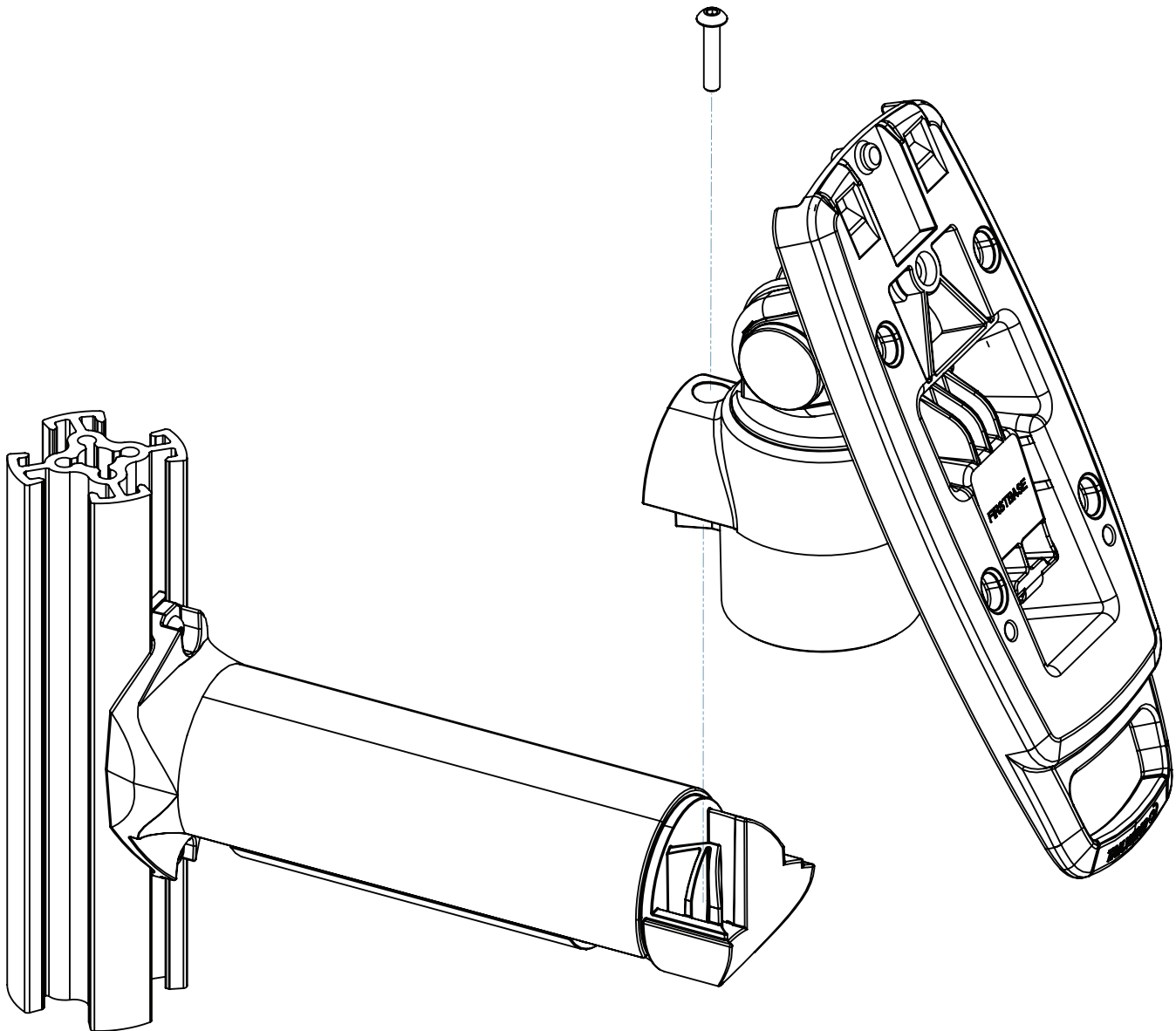


2.5 mm Hex Wrench

ENS Group **MM-10-401** PAYMENT DEVICE INSTALLATION

Tools Required:
2.5mm Hex Wrench (Provided)

Step 1: Attach the Payment Mount to the Arm using the M4 x 20mm Socket Head Screw as shown



See Instructions provided with your backplate to complete the assembly