



# ADA COMPLIANCE REFERENCE GUIDE FOR MOUNTING TECHNOLOGY SOLUTIONS

## ADA INTRO

ENS is the world leader in mounting payment devices and technology that help you meet ADA guidelines. You will find the guidelines we follow enclosed, pulled from the original ADA documents.

ENS. Better by Design.

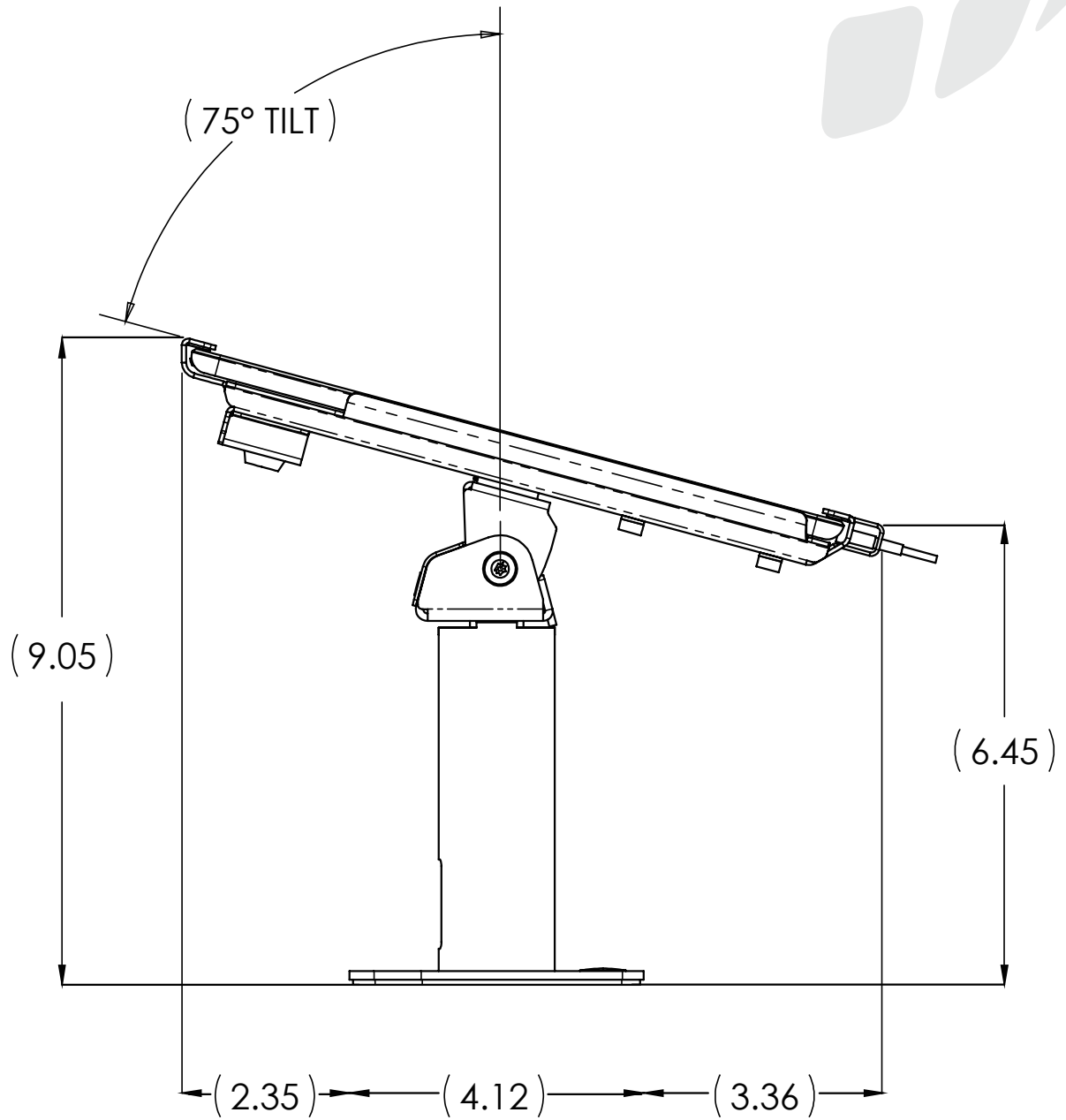
 N. America Sales: (952)-767-1005 | Email: [ENSNAmerica@ens-co.com](mailto:ENSNAmerica@ens-co.com) | Visit [ens-co.com](http://ens-co.com)

For technical or order inquiries contact:

**Get in Touch**

# ADA

Specifications



# TOE & KNEE CLEARANCE

## 306

### 306.2 | Toe Clearance

**306.2.1 | General:** Space under an element between the finish floor or ground and 9 inches (230 mm) above the finish floor or ground shall be considered toe clearance and shall comply with 306.2.

**306.2.2 | Maximum Depth:** Toe clearance shall extend 25 inches (635 mm) maximum under an element.

**306.2.3 | Minimum Required Depth:** Where toe clearance is required at an element as part of a clear floor space, the toe clearance shall extend 17 inches (430 mm) minimum under the element.

**306.2.4 | Additional Clearance:** Space extending greater than 6 inches (150 mm) beyond the available knee clearance at 9 inches (230 mm) above the finish floor or ground shall not be considered toe clearance.

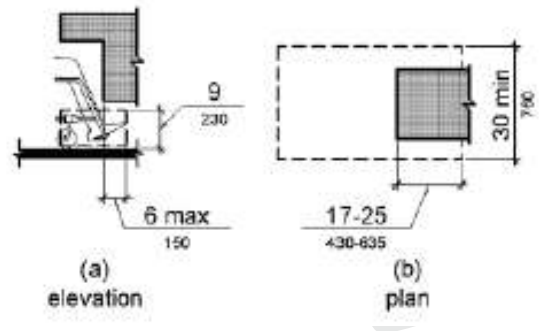


Figure 306.2  
Toe Clearance

### 306.3 | Knee Clearance

**306.3.1 | General:** Space under an element between 9 inches (230 mm) and 27 inches (685 mm) above the finish floor or ground shall be considered knee clearance and shall comply with 306.3.

**306.3.2 | Maximum Depth:** Knee clearance shall extend 25 inches (635 mm) maximum under an element at 9 inches (230 mm) above the finish floor or ground.

**306.3.3 | Minimum Required Depth:** Where knee clearance is required under an element as part of a clear floor space, the knee clearance shall be 11 inches (280 mm) deep minimum at 9 inches (230 mm) above the finish floor or ground, and 8 inches (205 mm) deep minimum at 27 inches (685 mm) above the finish floor or ground.

**306.3.4 | Clearance Reduction:** Between 9 inches (230 mm) and 27 inches (685 mm) above the finish floor or ground, the knee clearance shall be permitted to reduce at a rate of 1 inch (25 mm) in depth for each 6 inches (150 mm) in height.

**306.3.5 | Width:** Knee clearance shall be 30 inches (760 mm) wide minimum.

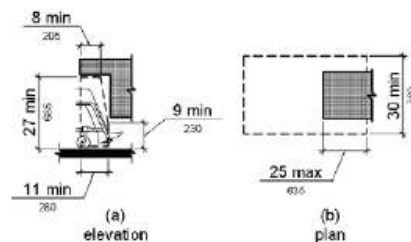


Figure 306.3  
Knee Clearance

Source - <http://www.ada.gov/regs2010/2010ADAStandards/2010ADAstandards.htm>

# PROTRUDING OBJECTS

## 307

**307.1 | General:** Protruding objects shall comply with 307.

**307.2 | Protrusion Limits:** Objects with leading edges more than 27 inches (685 mm) and not more than 80 inches (2030 mm) above the finish floor or ground shall not protrude more than 4 inches (100 mm) maximum horizontally into the circulation path.

**Exception:** Handrails shall be permitted to protrude 4.5 inches (115 mm) maximum.

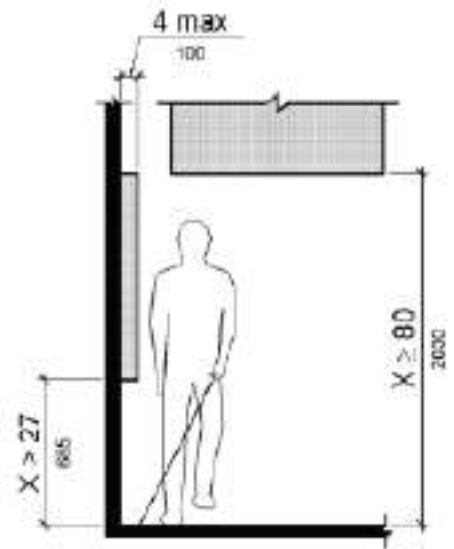


Figure 307.2  
Limits of Protruding  
Objects

**Advisory 307.2 Protrusion Limits:** When a cane is used and the element is in the detectable range, it gives a person sufficient time to detect the element with the cane before there is body contact. Elements located on circulation paths, including operable elements, must comply with requirements for protruding objects. For example, awnings and their supporting structures cannot reduce the minimum required vertical clearance. Similarly, casement windows, when open, cannot encroach more than 4 inches (100 mm) into circulation paths above 27 inches (685 mm).

# PROTRUDING OBJECTS

## 307

**307.3 | Post-Mounted Objects:** Free-standing objects mounted on posts or pylons shall overhang circulation paths 12 inches (305 mm) maximum when located above the finish floor or ground. Where a sign or other obstruction is mounted between posts or pylons and the clear distance between the posts or pylons is greater than 12 inches (305 mm), the lowest edge of such sign or obstruction shall be 27 inches (685 mm) maximum or 80 inches (2030 mm) minimum above the finish floor or ground.

**Exception:** The sloping portions of handrails serving stairs and ramps shall not be required to comply with 307.3.

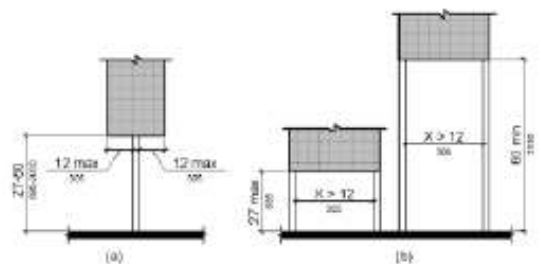


Figure 307.2  
Limits of Protruding  
Objects

**307.4 | Vertical Clearance:** Vertical clearance shall be 80 inches (2030 mm) high minimum. Guardrails or other barriers shall be provided where the vertical clearance is less than 80 inches (2030 mm) high. The leading edge of such guardrail or barrier shall be located 27 inches (685 mm) maximum above the finish floor or ground.

**Exception:** Door closers and door stops shall be permitted to be 78 inches (1980 mm) minimum above the floor nish or ground.

# REACH RANGES

## 308

### 308.2 | Forward Reach

**308.2.1 | Unobstructed:** Where a forward reach is unobstructed, the high forward reach shall be 48 inches (1220 mm) maximum and the low forward reach shall be 15 inches (380 mm) minimum above the finish floor or ground.

**308.2.2 | Obstructed High Reach:** Where a high forward reach is over an obstruction, the clear floor space shall extend beneath the element for a distance not less than the required reach depth over the obstruction. The high forward reach shall be 48 inches (1220 mm) maximum where the reach depth is 20 inches (510 mm) maximum. Where the reach depth exceeds 20 inches (510 mm), the high forward reach shall be 44 inches (1120 mm) maximum and the reach depth shall be 25 inches (635 mm) maximum.

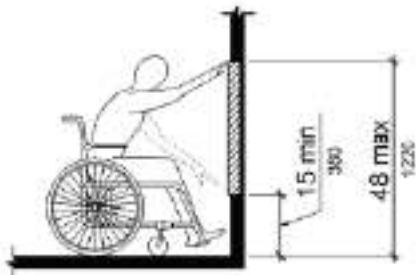


Figure 308.2.1  
Unobstructed Forward Reach

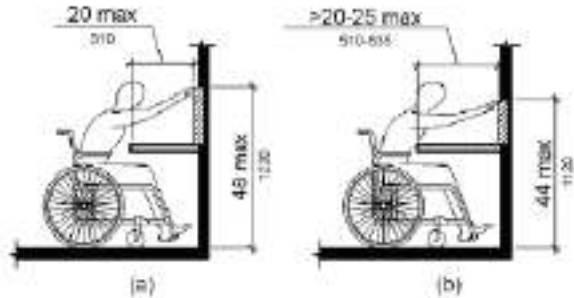


Figure 308.2.1  
Unobstructed High Forward Reach

# REACH RANGES

## 308

### 308.3 | Side Reach

**308.3.1 | Unobstructed:** Where a clear floor or ground space allows a parallel approach to an element and the side reach is unobstructed, the high side reach shall be 48 inches (1220 mm) maximum and the low side reach shall be 15 inches (380 mm) minimum above the finish floor or ground.

**Exceptions: 1.** An obstruction shall be permitted between the clear floor or ground space and the element where the depth of the obstruction is 10 inches (255 mm) maximum. **2.** Operable parts of fuel dispensers shall be permitted to be 54 inches (1370 mm) maximum measured from the surface of the vehicular way where fuel dispensers are installed on existing curbs.

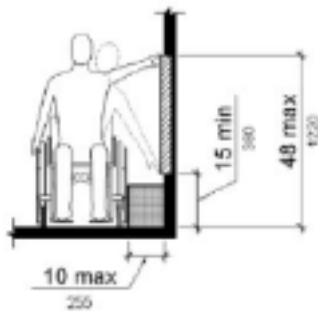


Figure 308.3.1  
Unobstructed Reach

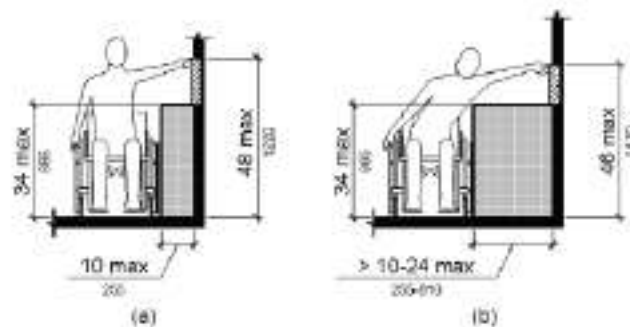


Figure 308.3.2  
Unobstructed High Reach

**308.3.2 | Obstructed High Reach:** Where a clear floor or ground space allows a parallel approach to an element and the high side reach is over an obstruction, the height of the obstruction shall be 34 inches (865 mm) maximum and the depth of the obstruction shall be 24 inches (610 mm) maximum. The high side reach shall be 48 inches (1220 mm) maximum for a reach depth of 10 inches (255 mm) maximum. Where the reach depth exceeds 10 inches (255 mm), the high side reach shall be 46 inches (1170 mm) maximum for a reach depth of 24 inches (610 mm) maximum.

**Exceptions: 1.** The top of washing machines and clothes dryers shall be permitted to be 36 inches (915 mm) maximum above the finish floor. **2.** Operable parts of fuel dispensers shall be permitted to be 54 inches (1370 mm) maximum measured from the surface of the vehicular way where fuel dispensers are installed on existing curbs.



## CONTACT US

Now that you know what it takes to be ADA Compliant, you need a company that can help you meet these requirements. ENS creates custom products that abide by these and other required compliances .

If you would like to learn more about ENS and how we can help you meet these requirements, please contact us with any questions or to meet with your local ENS representative.

14451 Ewing Ave Burnsville, MN 55306  
toll free: 866-452-1255  
direct: 952-767-1005  
fax: 952-767-1006  
ENSNAmerica@ens-co.com  
www.ens-co.com www.techtower.com