

UV-SM

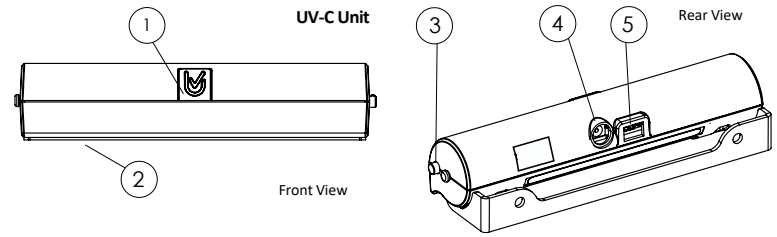
367-5456

INSTALLATION INSTRUCTIONS

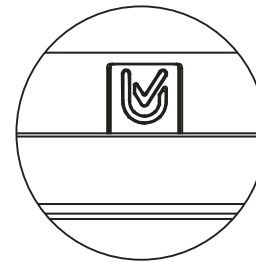
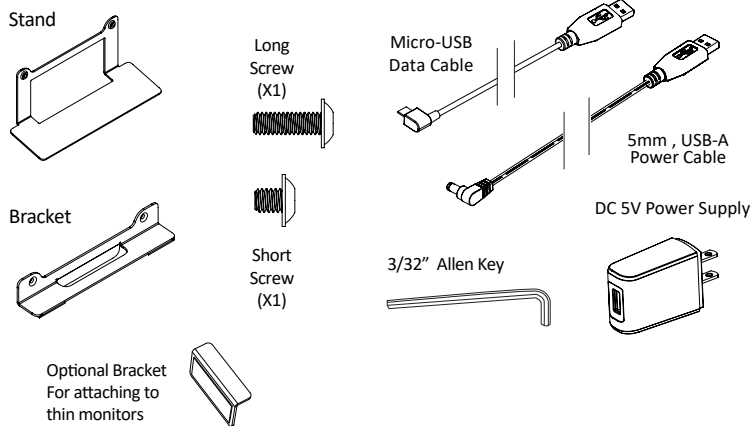


Check List for Quick Set-Up

- ☒ Attach bracketry according to instructions found in this guide. See contents below.
- ☒ Attach the power cable to the circular jack (4) on the back of the UV-Clean unit.
Power the device by plugging in the opposite end of the power cable to the supplied adapter, or another **USB 3.0** device with output power of 900 mA.
- ☒ Set-up is complete.



1. Status Indicator	2. Motion Sensor	3. Push Button For Task Light	4. Power Receptacle	5. Micro-USB Data Receptacle
White = On, Stand By Blue = Cleaning Blue Blink = Bulb Failure	Detection for UV auto shut-off feature	Control the on/off of the LED task light	DC 5V supply included, 5mm jack	Retrieve cleaning cycle information stored internally



SAFETY & DISPOSAL

Appropriate use of this product is expected and is the responsibility of the purchaser of this product. This product uses UV-C light. Eyes and skin should be kept from exposure. Eye inflammation and skin irritation can occur from prolonged exposure. For sensitive skin, burns may occur. **Do not touch the glass UV bulb surface. Fingerprints create a barrier and reduce UV ability.**

Do not use this device on people, food, or pets. Keep out of Reach of Children. This product is not a toy. Do not attempt to disassemble this product. Nor is it serviceable. Warranty will be void. This UV bulb contains mercury in very small amounts. Precautions should be used to prevent breakage. Mercury may cause injury if swallowed and is known to cause reproductive harm. Dispose of this product responsibly per regulations. Do not expose this product to water, liquids or moisture. Electricity is present. UV-C can discolor materials such as plastic and fabric over a period of time.

UV Bulb

Breakage: All visible bulb components should be cautiously swept into a sealable bag, box or jar and taken outdoors.

Caution: The UV bulb contains a very small amount of mercury. As suggested by the EPA, do not vacuum up broken glass unless it is the only remaining debris. The same steps used to clean-up common CFL's may be used for this UV bulb. As listed here: <https://www.epa.gov/cfl/cleaning-broken-cfl>

Recycling may be an option in your area. www.lamprecycle.org/state-local-laws When done, this prevents mercury from entering the environment and reuse of glass, and metal is possible.

Refuse collection can be handled by commercial waste contractors, municipalities, or other local household waste programs.

Internal Clock Battery

Battery disposal is controlled by law and requires proper action.

Recycling and Refuse collection can be handled by commercial waste contractors, municipalities, or other local household waste programs.

Resources

Locate centers near you: search.earth911.com

www.lamprecycle.org

EPA www.epa.gov
Federal Universal Waste Rule

batteryresponsibility.org/battery-recycling

Maintenance

Do not attempt to service this product. Contact customer service at Proximity Systems for guidance. **Do not subject the bulb to fingerprints, solvents or abrasion.** Cleaning the bulb with a damp cloth or lens tissue is advised when the unit is not plugged in and the device is at room temperature only.

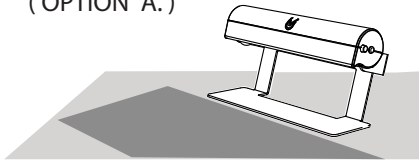
Environmental Conditions for Operation

Designed For

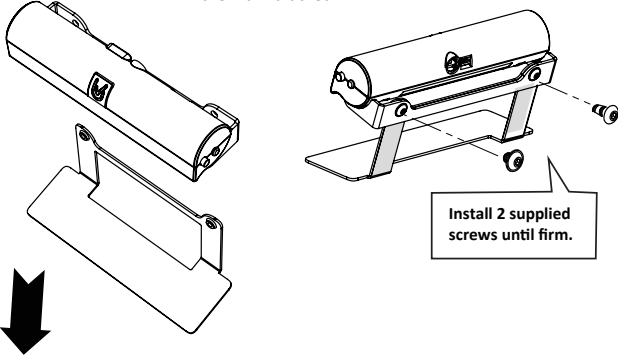
1. Commercial, Indoor use only
2. Altitude up to 3050m
3. Working temperature: 20 - 27 degrees C (68-80 deg F). Humidity 20-90% (non-condensing). Storage temperature: -20- 55 degrees C (-4-130 deg F). Humidity <85% (non-condensing).

**UV-SM
SET-UP**

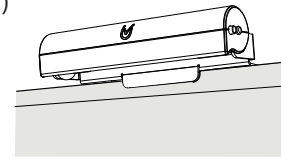
(OPTION A.)



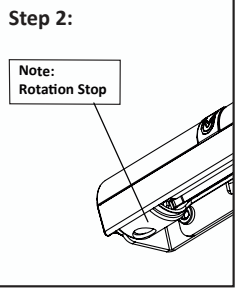
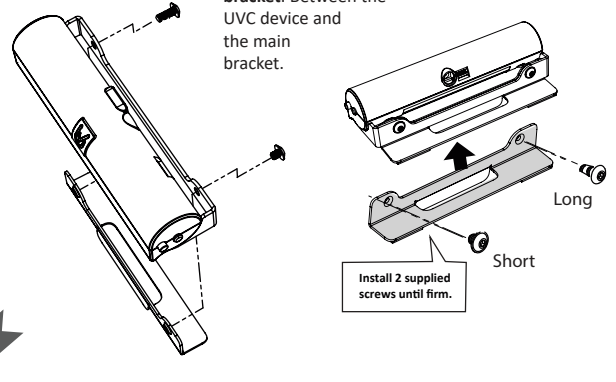
A) Step 1: Place the stand between the UVC device and the main bracket.



(OPTION B.)

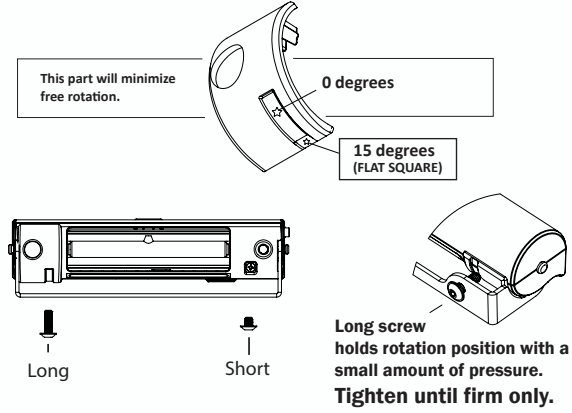


B) Step 1: Attach the monitor bracket. Between the UVC device and the main bracket.



Step 2:

Note:
Rotation Stop

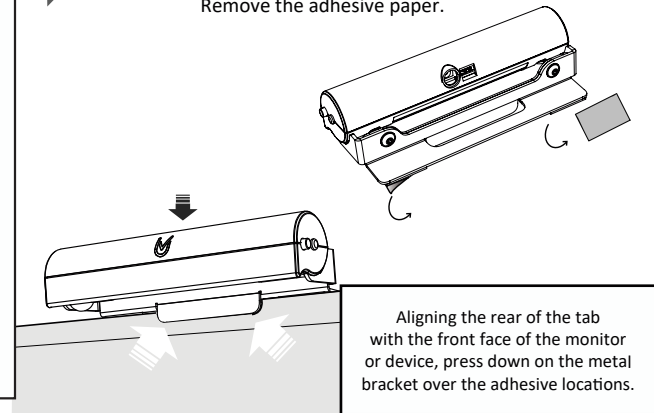


Long

Short

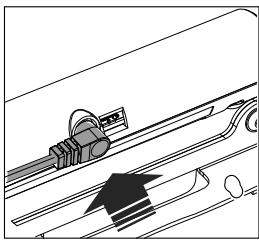
This part will minimize free rotation.

B) Step 3: Two sided adhesive is preinstalled. Remove the adhesive paper.

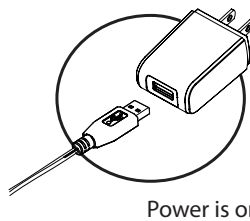


Aligning the rear of the tab with the front face of the monitor or device, press down on the metal bracket over the adhesive locations.

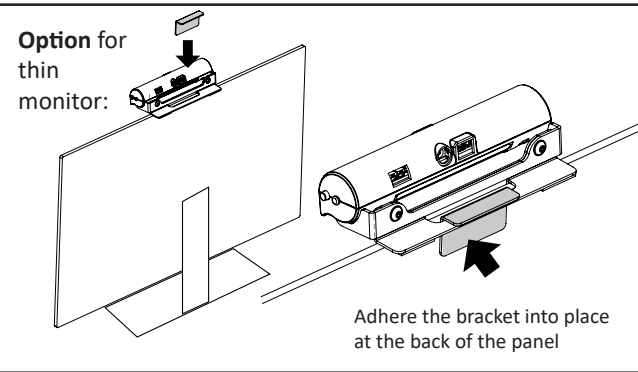
Step 4: Plug In Power.



Step 5: Plug In Power (supplied adapter or a USB 3.0.)



Power is on.



Option for thin monitor:

Adhere the bracket into place at the back of the panel

**UV-Clean
HOW IT WORKS**

Cleaning

When positioned and plugged into power, your UV-Clean device will begin working. It has **pre-set operation times**.

Cleaning cycles operate autonomously throughout the life of the product. Motion-sensor technology pauses cleaning cycles and relays the need to run a cleaning cycle when people come and go.

Operation Timing

Clean Time: The period of time the device is producing UV-C. Factory set to 3 minutes.

No Motion Time: The length of time the device will allow to pass before producing UV-C after the motion sensor has communicated an absence of movement. Factory set to 15 seconds.

Wait Time: Downtime scheduled between cleaning cycles that are unrelated to motion sensor activity. Factory set to 60 minutes.