

# UV-Clean Stand Alone (UV-SA)

## Safely Disinfect High Touch Devices

UV-C light is used to eradicate harmful bacteria, including antibiotic resistant viruses (including Coronaviruses SARS and MERS), Staphylococcus aureus (MRSA) and Enterococcus (VRE), as well as E. coli, difficile, Proteus spp., Klebsiella spp and Listeria spp. UV-C light is being used globally to fight the COVID-19 strain. Our automated chemical-free disinfecting technology is your proven ally against the spread of infectious microorganisms.

The UV-SA unit is designed to provide a quick and easy way to disinfect devices like small portable tablets, mPOS devices and handheld scanners. With high touch items such as these, regular cleaning with low doses of UV-C light will help to eliminate the transfer of harmful pathogens while being safe for you. Requiring minimal assembly, the unit is comprised of a steel tray, head unit and stand. Simply place your mobile devices in the steel tray and walk away for the cleaning cycle to begin. Good hand hygiene is always recommended for optimal device disinfection.

### How Does It Work?

- Germicidal UV-C light is dispensed at low levels
- Microorganisms absorb the UV-C wavelength
- DNA of infection-causing pathogens are broken
- Pathogens are disabled, stopping them from reproducing and spreading



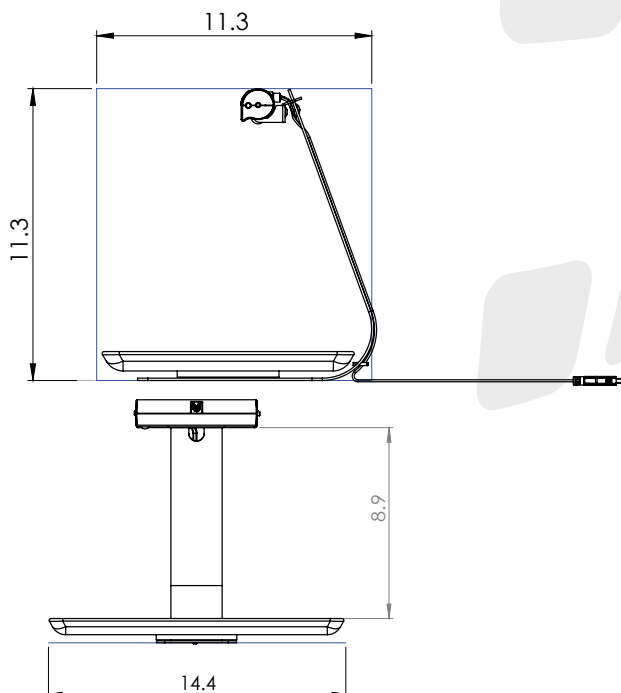
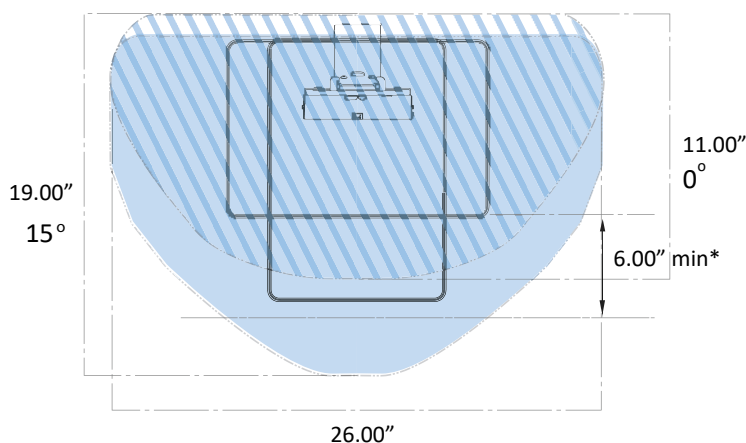
# UV-Clean Stand Alone (UV-SA)

Safely Disinfect High Touch Devices

## COVERAGE AREA



(shown from above)



\* 6.00" minimum distance from front of counter to tray (when oriented as shown) reduces unintended UV-C shut-off caused by foot traffic

## Safe, Flexible, Next-Generation High Touch Surface

With UV-Clean, you can set up a strong line of defense against the spread of infectious microorganisms on high-touch surfaces or objects. Gain the upper hand to Lead the Change, create the safest environments for your employees, customers and community.

### PRODUCT DETAILS

- 367-5455
- Automated disinfecting cycle
- Motion activated for safe deployment of UV-C light
- 22" - 24" active disinfecting area range
- Independent low energy LED task light
- Package dimensions: 15" L x 11" W x 5" H
- Package weight: 5 lbs
- One-year warranty
- Extended Warranty options available

### MATERIAL OVERVIEW

- 100% recyclable UV stable plastic
- UV-C bulb
- 6' long 5.5mm pin to USB power cable
- Power adapter included

### KEY FEATURES

- Ideal for smaller items
- Convenient area to place devices for quick, yet effective ultraviolet disinfection
- Cable management within stand to conceal power cable
- Optimizes day-to-day workflow with an automatic means of self-disinfection
- Low cost of ownership