

UV-Clean Clamp Mount (UV-CM)

Safely Disinfect High Touch Devices

UV-C light is used to eradicate harmful bacteria, including antibiotic resistant viruses (including Coronaviruses SARS and MERS), Staphylococcus aureus (MRSA) and Enterococcus (VRE), as well as E. coli, difficile, Proteus spp., Klebsiella spp and Listeria spp. UV-C light is being used globally to fight the COVID-19 strain. Our automated chemical-free disinfecting technology is your proven ally against the spread of infectious microorganisms.

The UV-CM by ENS is a flexible solution designed to protect your customers and employees using touchscreens or any high touch surfaces as it can easily clamp to any monitor. 24/7 automated disinfecting cycles of low doses of UV-C light are harmful to pathogens, but designed to be safe for human interaction.

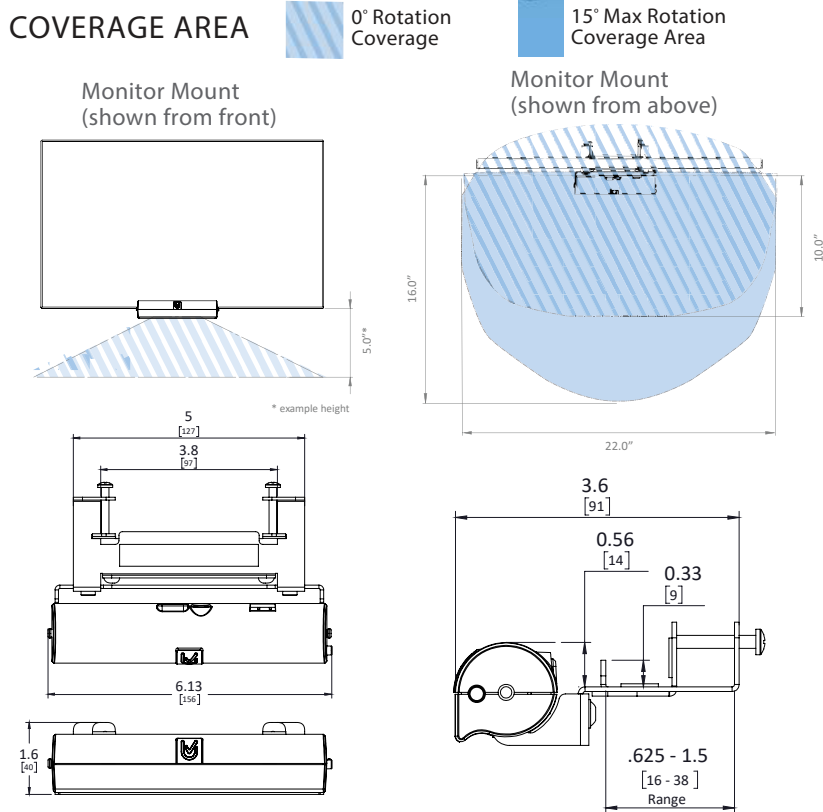
Universal Solution for:

- Monitors
- Keyboards
- Shared Workstations
- Customer Kiosk
- Employee Time Clock
- Call Center Technology
- Telephones
- Mobile Technology
- Keypads



UV-Clean Clamp Mount (UV-CM)

Safely Disinfect High Touch Devices



Safe, Flexible, Next-Generation High Touch Surface Disinfectant

With UV-Clean, you can set up a strong line of defense against the spread of infectious microorganisms on high-touch surfaces or objects. Lead the Change, create the safest environments for your employees, customers and community.

PRODUCT DETAILS

- Product number: 367-5457
- Automated disinfecting cycle
- Motion activated for safe deployment of UV-C light
- 22" - 24" active disinfecting area range
- Independent low energy LED task light
- Package dimensions: 9.4" L x 4.5" W x 4" H
- Package weight: 1 lb
- One-year warranty
- Extended Warranty options available

MATERIAL OVERVIEW

- 100% recyclable UV stable plastic
- UV-C bulb
- 6' long 5.5mm pin to USB power cable
- Power adapter included

KEY FEATURES

- Universal brackets to clamp to any monitor
- Optimizes day-to-day workflow with automatic self-disinfection
- Low cost of ownership