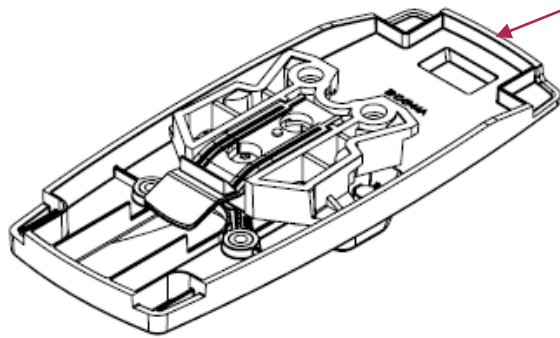
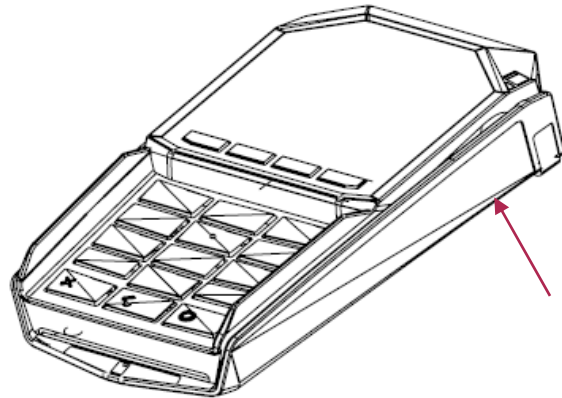
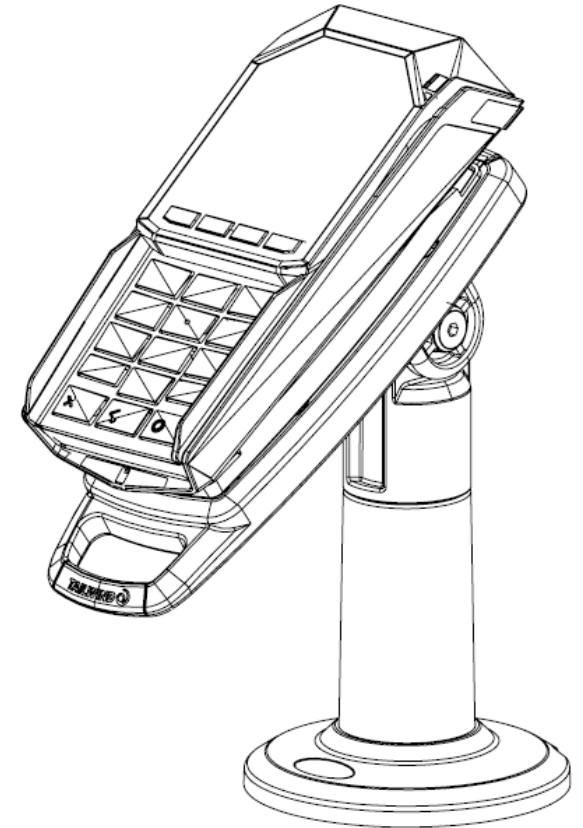
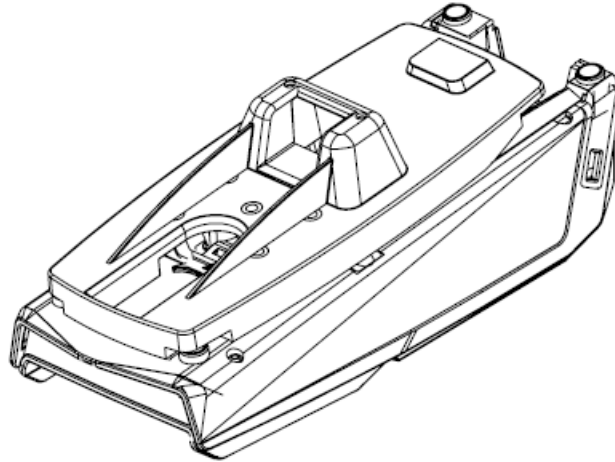


## Quick Installation Guide



Lane 3000/5000 v.2/7000/8000  
Backplate



Lane 3000/5000 v.2/7000/8000  
Payment Terminal

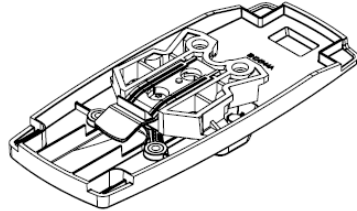
# Lane 3000/5000 v.2/7000/8000 Backplate

Quick Installation Guide

## TOOLS



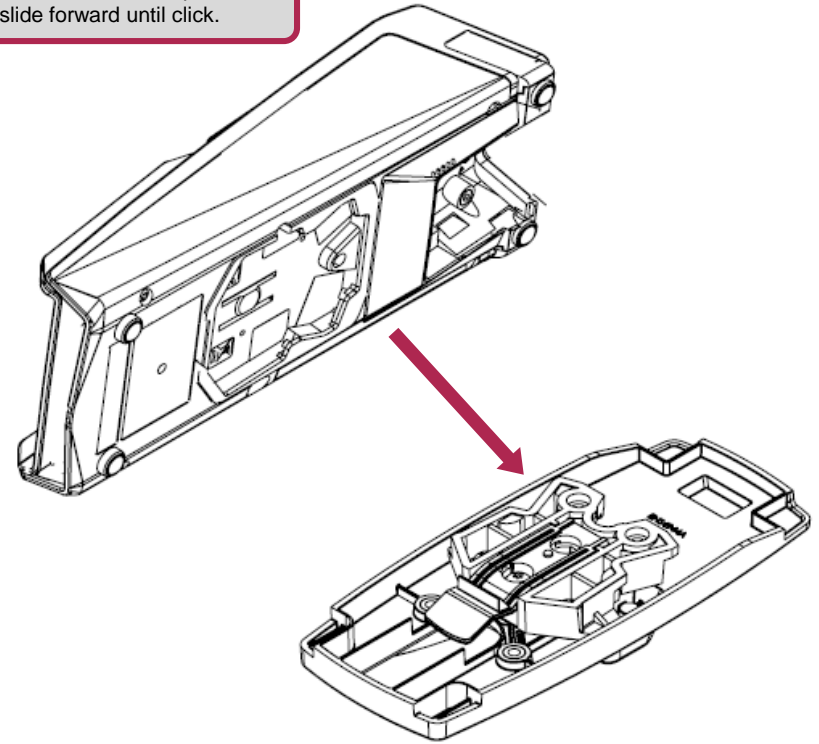
## PARTS



1X Lane 3000/5000 v.2/7000/8000  
Backplate

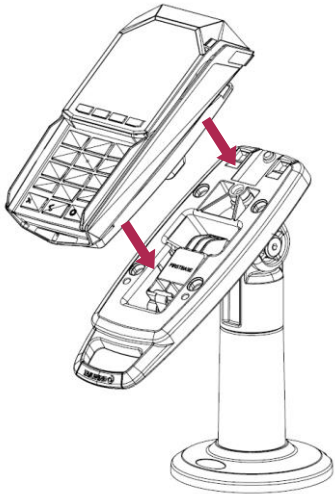
1

Place terminal onto backplate and  
slide forward until click.

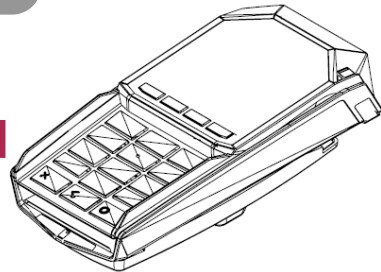


3

Fit terminal onto  
stand.  
Press firmly until  
click.



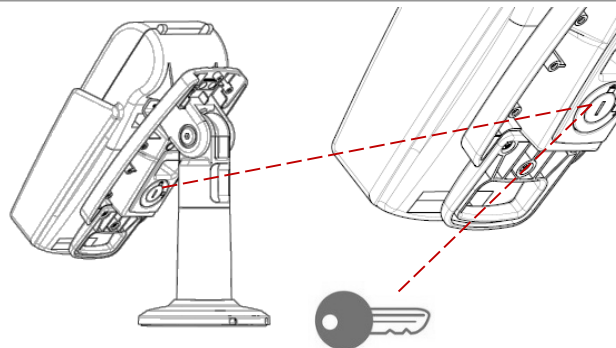
2



## OPTIONAL

### **SAFEBASE OPTION**

To lock device, turn key  
clockwise then remove key.  
To unlock, turn counter-  
clockwise.



To remove device

