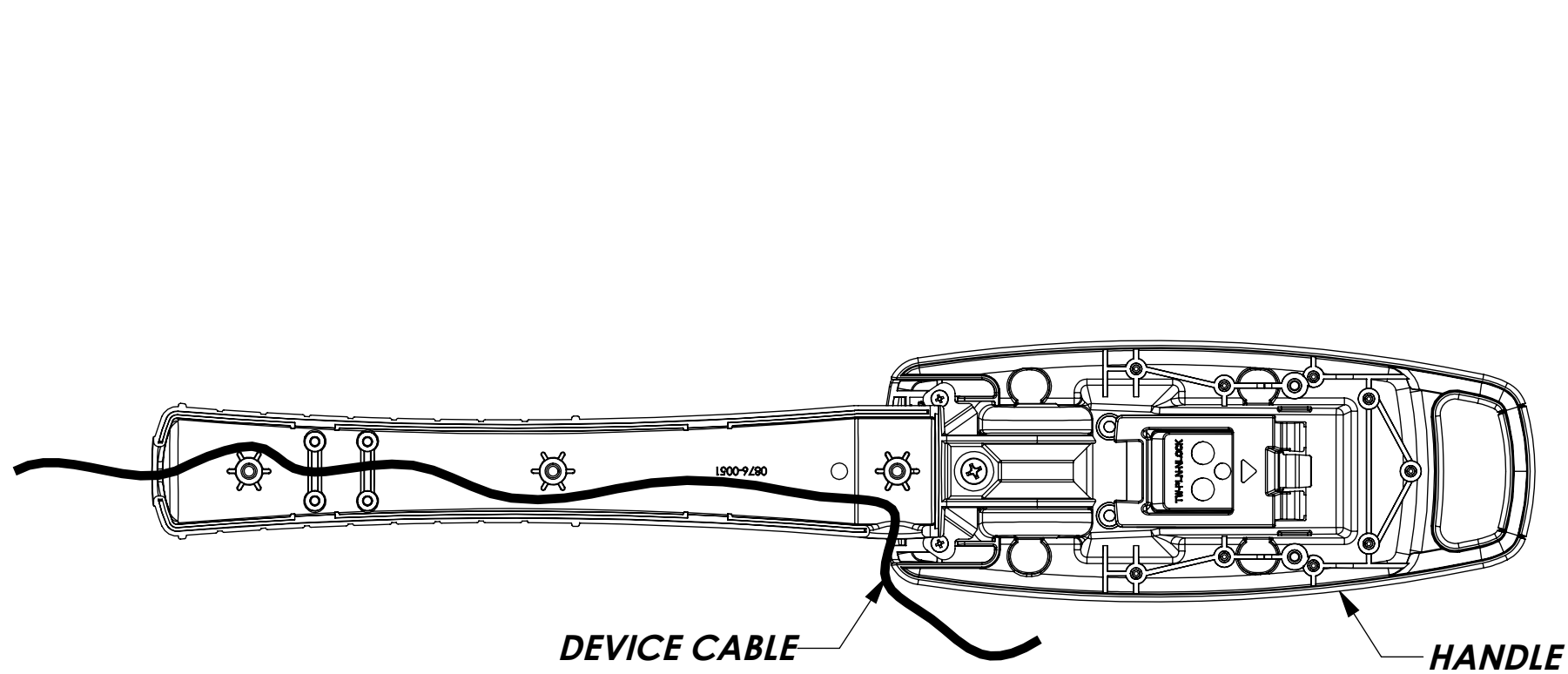
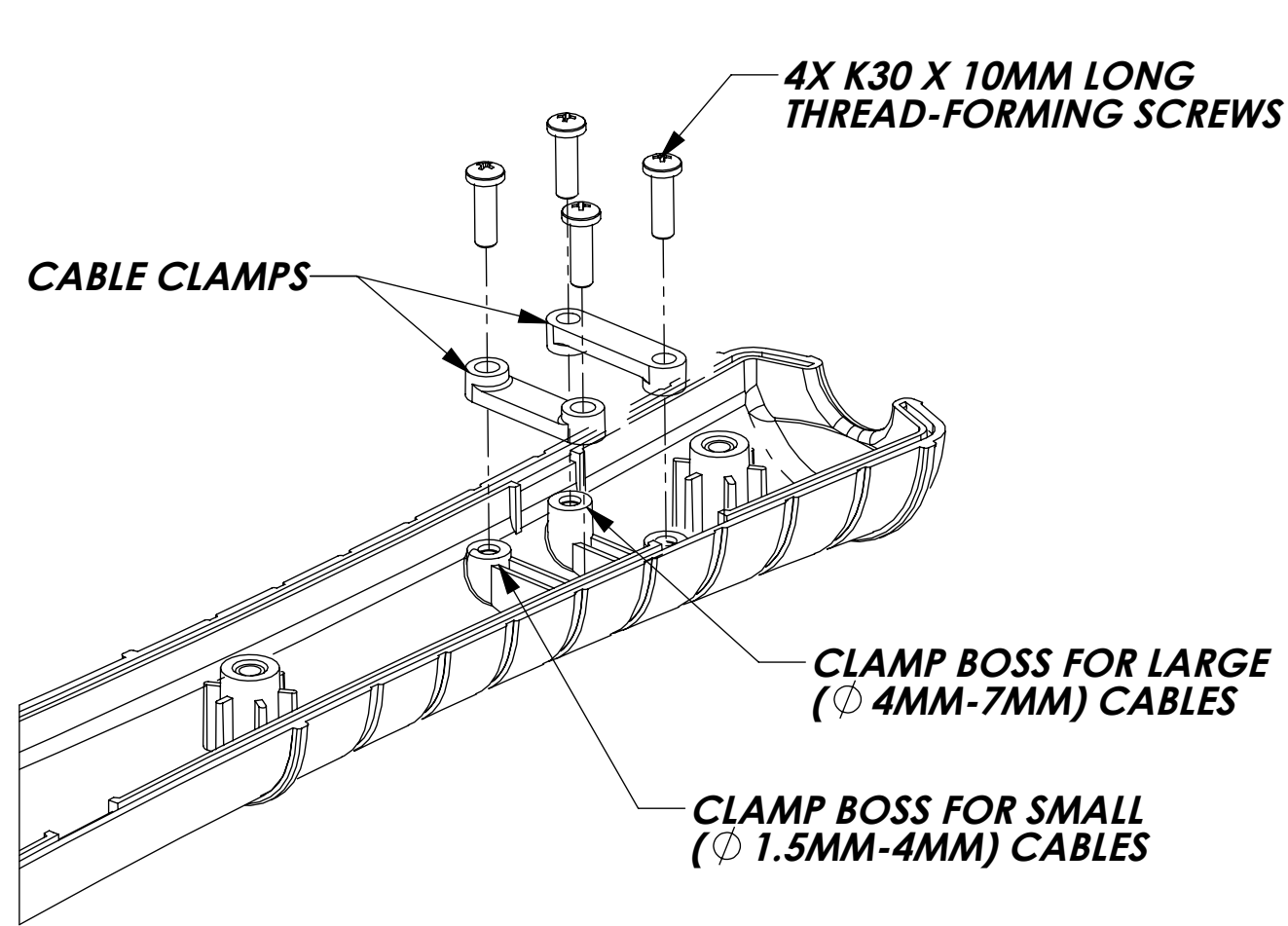
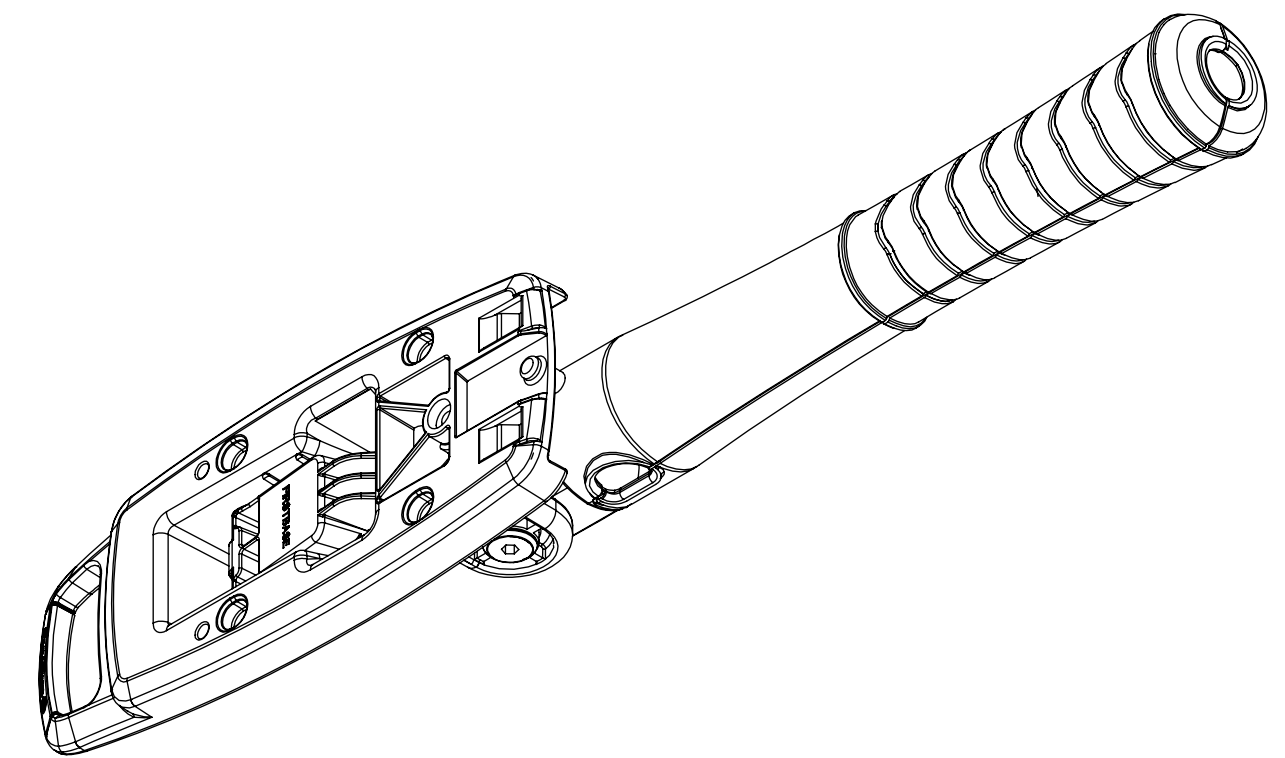


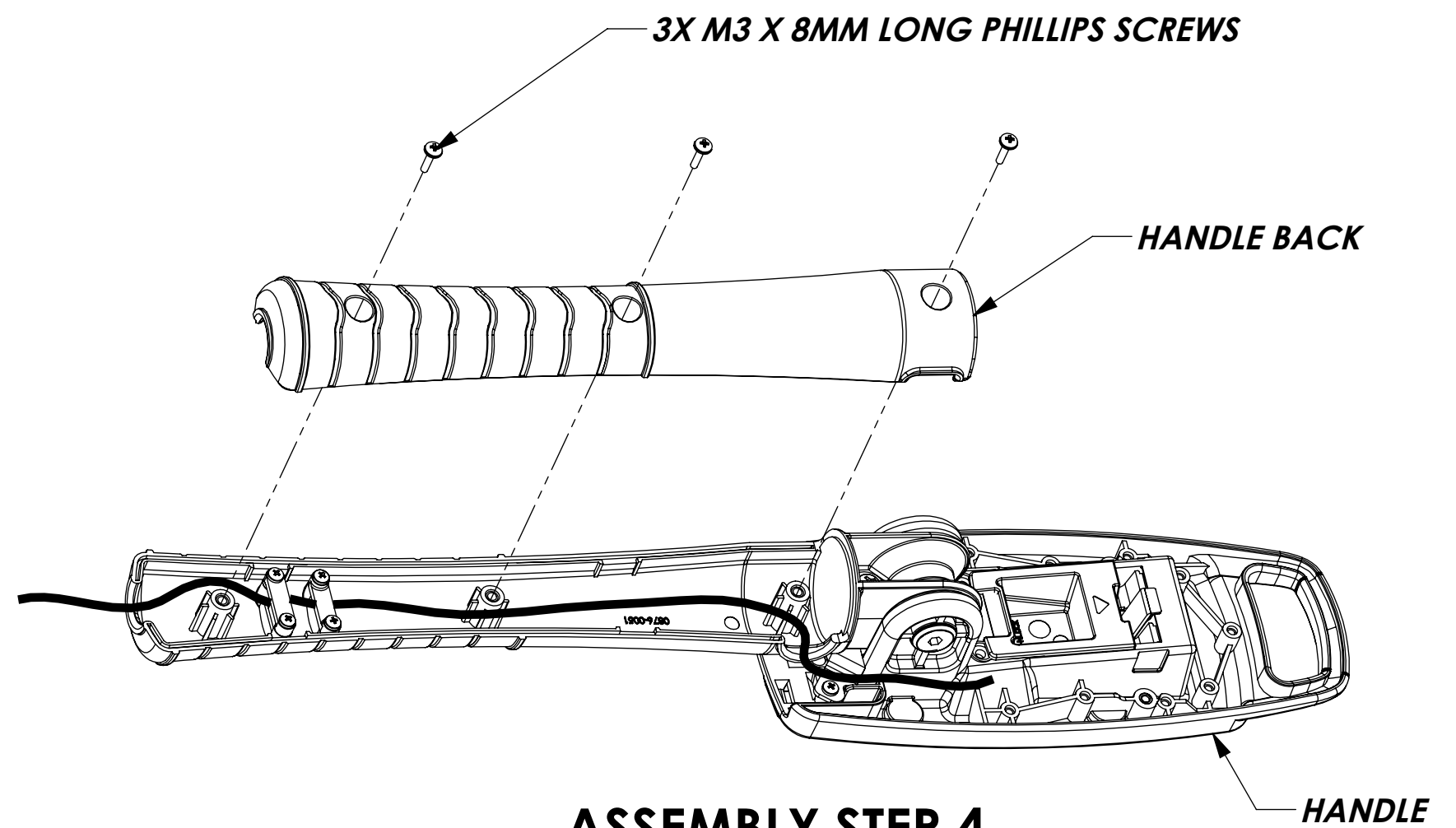
# INSTALLATION INSTRUCTIONS



## ASSEMBLY STEPS 1-2



## ASSEMBLY STEP 3



## ASSEMBLY STEP 4

### TOOL LIST:

1. PZ1 POZI DRIVE SCREW DRIVER
2. #2 SCREW DRIVER

### ASSEMBLY STEPS:

1. TO FIT THE BACKPLATE TO THE PAYMENT TERMINAL/PIN PAD, REFERENCE THE BACKPLATE INSTALLATION GUIDE SPECIFIC TO YOUR DEVICE (SOLD SEPARATELY).
2. ROUTE THE **DEVICE CABLE** THROUGH THE **HANDLE** AND AROUND SCREW BOSSES AS SHOWN. ENSURE THE **DEVICE CABLE** IS NOT TOO TIGHT AND HAS SLACK THROUGHOUT.
3. ASSEMBLE **CABLE CLAMPS** TO THE **HANDLE** USING **4X K30 X 10MM LONG THREAD-FORMING SCREWS** AS SHOWN. USE ONE OR BOTH **CABLE CLAMPS** DEPENDING UPON CABLING. **CABLE CLAMPS** MAY BE INSTALLED IN EITHER ORIENTATION SHOWN AS NEEDED. HAND TIGHTEN SCREWS ONLY, ENSURE NOT TO DAMAGE THE CABLE.
4. ASSEMBLE **HANDLE BACK** TO **HANDLE** ASSEMBLY USING **3X M3 X 8MM LONG PHILLIPS SCREWS** AS SHOWN.

THE INFORMATION CONTAINED IN THIS DRAWING IS THE SOLE PROPERTY OF ENGINEERED NETWORK SYSTEMS AND REPRODUCTION IN PART OR IN WHOLE WITHOUT THE WRITTEN PERMISSION OF ENGINEERED NETWORK SYSTEMS IS PROHIBITED.

DIMS. AND TOLERANCES PER ASME Y14.5 - 1994  
UNLESS OTHERWISE SPECIFIED DIMENSIONS ARE IN INCHES TOLERANCES ARE:

FRACTIONAL	± 1/32
2 PLC. DEC.	± .03
3 PLC. DEC.	± .010
ANGULAR	± 0°30'

REV.	B	RELEASED FOR PROTOTYPE	03/27/20	ARS	AN
DESCRIPTION				BY	CHK'D
DRAWN	A. NORLING	<b>Engineered Network Systems, LLC</b> 14451 Ewing Ave. Suite 100 Burnsville, MN 55306 Phone: 952-767-1005 Fax: 952-767-1006			
DATE	03/27/2020	TITLE CUSTOMER INSTALLATION, FLEXIPOLE DRIVE-THRU HANDLE			
CHECKED		SIZE C			
DATE		DWG. NO. ASSD0121A			
DO NOT SCALE DRAWING		REV. B			
MATERIAL		SHEET 1 OF 1			
FINISH					