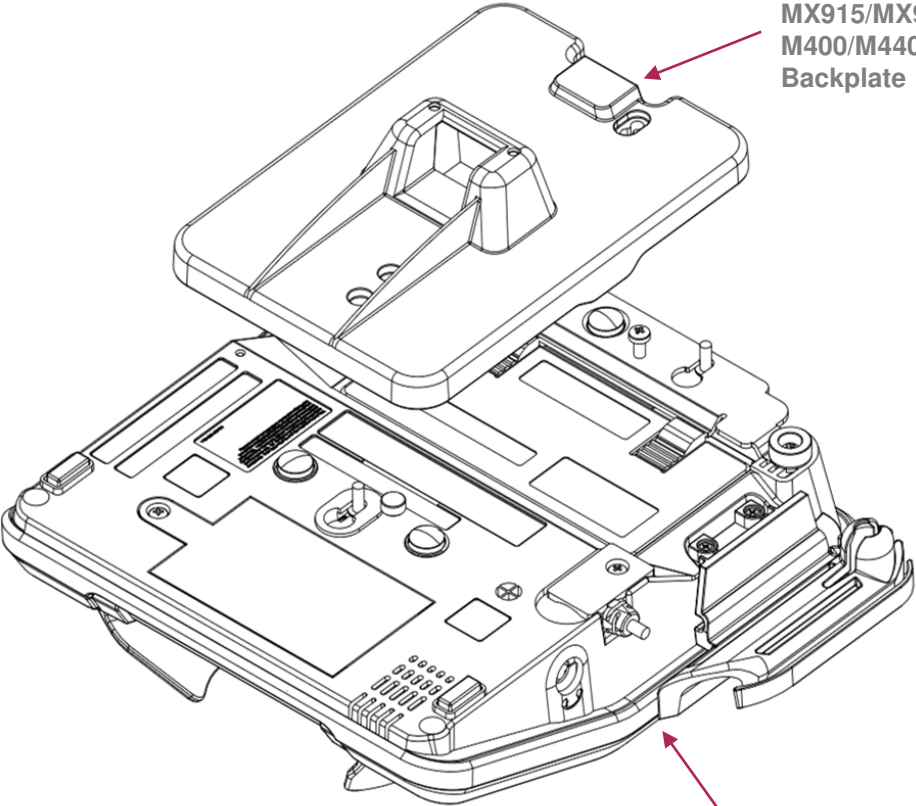


Verifone
MX915/MX925/
M400/M440
Backplate



Verifone
MX915/MX925/
M400/M440
Terminal



VeriFone MX915/MX925/M400/M440 PEDPack

Quick Installation Guide



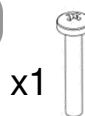
TOOLS

RECOMMENDED

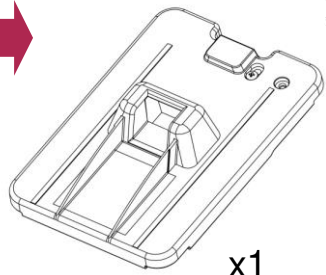
Torque setting 40CNm
for all screw fixings



PARTS



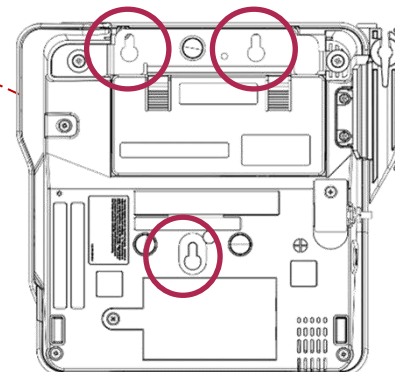
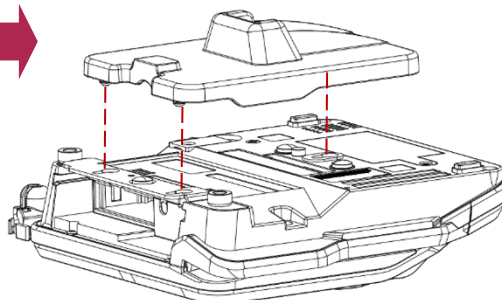
x1



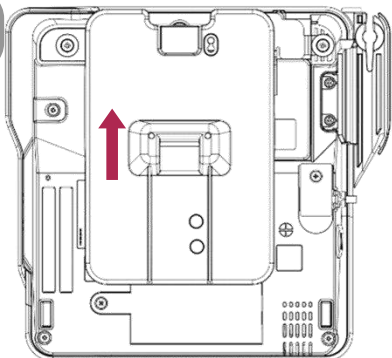
x1

1

Locate Backplate in line with three holes highlighted – push down into unit



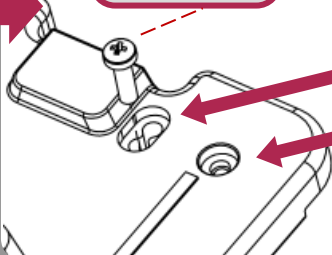
2



Push forwards until feel click – check Backplate **CANNOT** be lifted back off vertically.

3

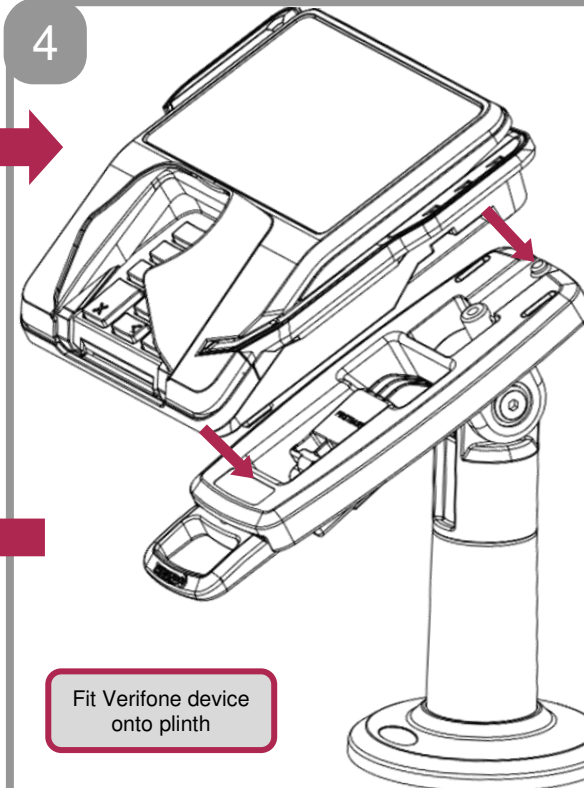
Fit screw into top hole and screw until fully engaged



Use these holes for Mx915/Mx925

Use this holes for M400/M440

4



Fit VeriFone device onto plinth

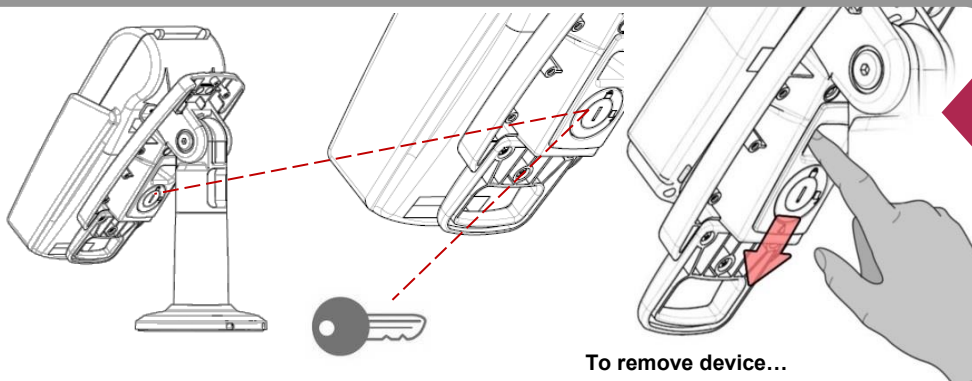
5

GENERIC Device SHOWN

OPTIONAL

If locking device, turn key then remove to secure.

To unlock, first ensure key fitted.



To remove device...