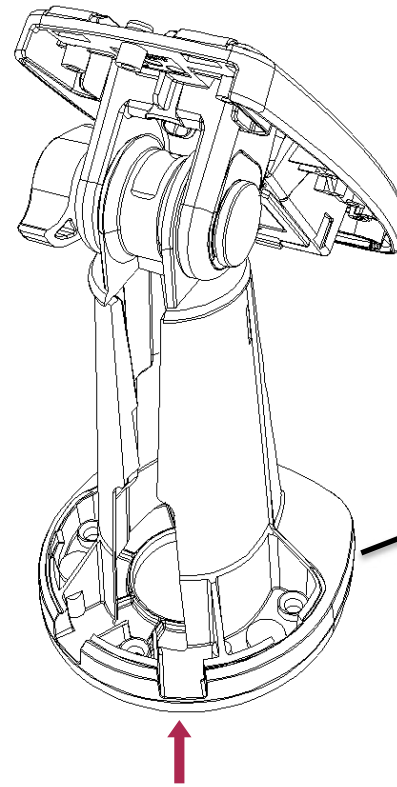
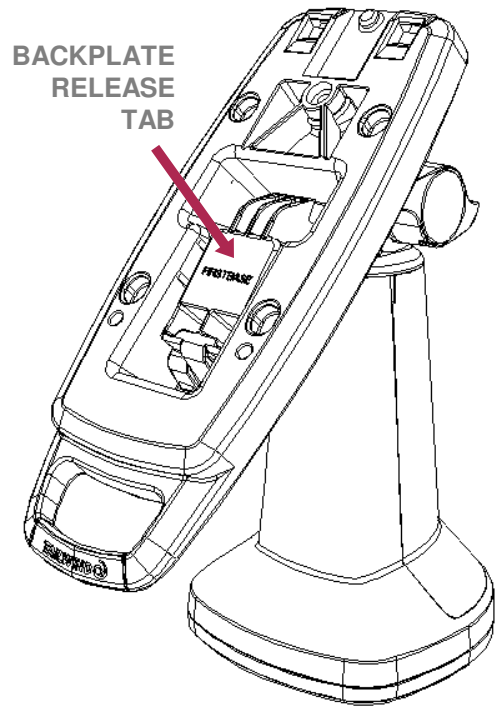
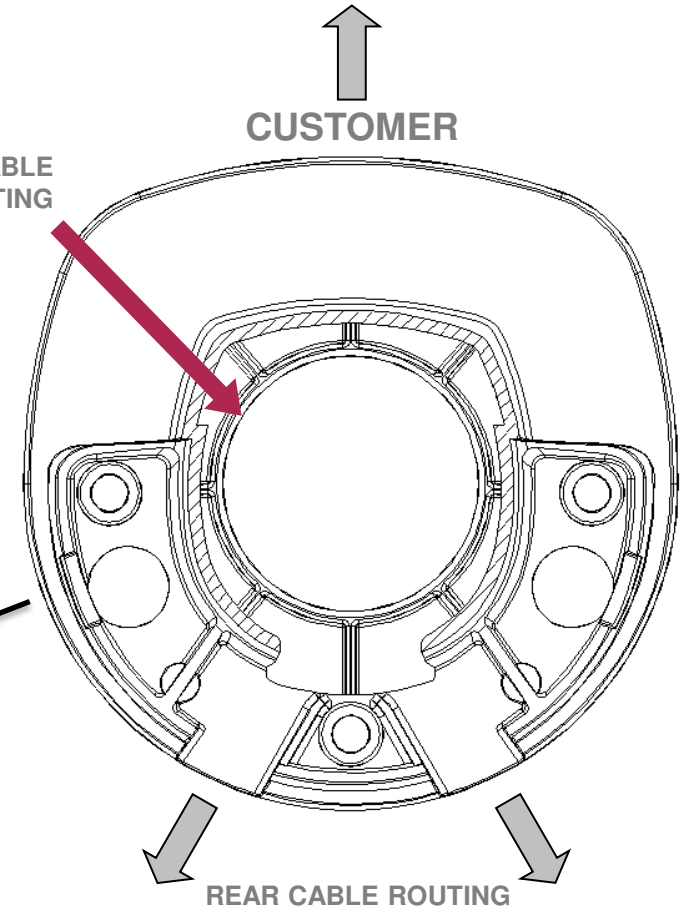


Quick Installation Guide



CENTER CABLE
ROUTING



FlexiPole Plus (Quick Release)

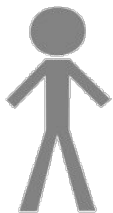
Quick Installation Guide

TOOLS

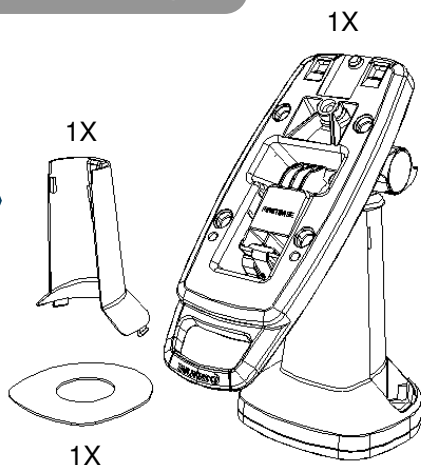
- 1) Phillips screwdriver
- 2) Drill if mounting to surface with screws
Use qualified personnel

Note

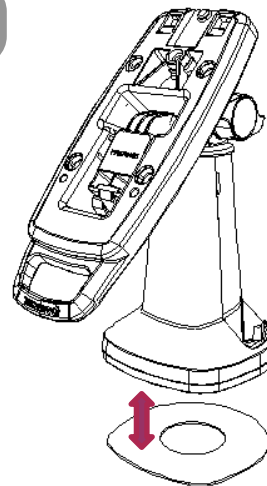
No drill required if using adhesive pad provided.



PARTS



1

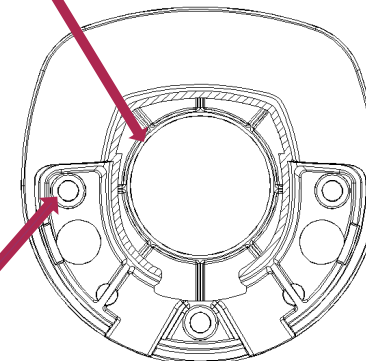


Drill hole to route Cable thru counter 40mm diameter max

Note

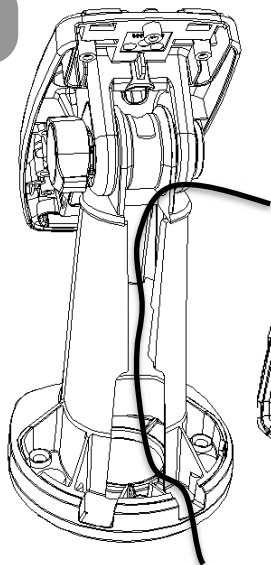
For screw mount – use stand as a template. Drill/screwdriver will be required. **Use qualified personnel.**

3X Mounting holes Use appropriate #8 flat head screws for the surface being mounted to

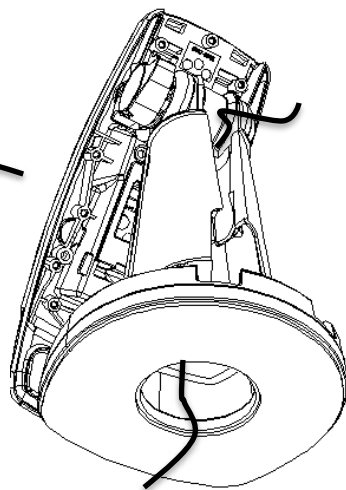


Top View

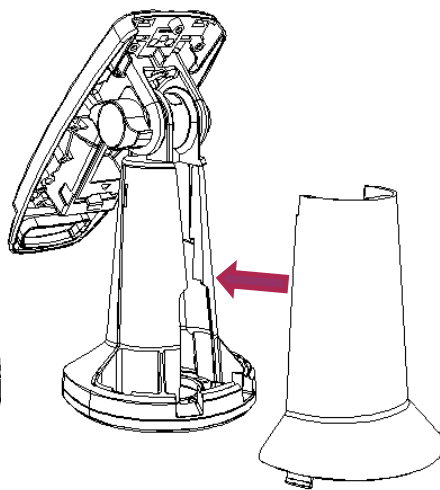
2



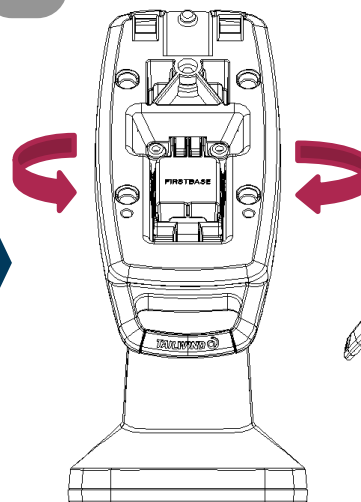
Cable routing option 1



Cable routing option 2



3



Pivot Tension Adjustment Dial

