

Yomani/Yomani Touch Backplate

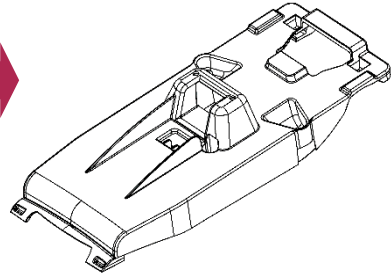
Quick Installation Guide

NOTE

CABLE MANAGEMENT

Cables should be fed through FlexiPole and connected to Terminal before fitting Backplate. Please read the appropriate FlexiPole install guide for instructions

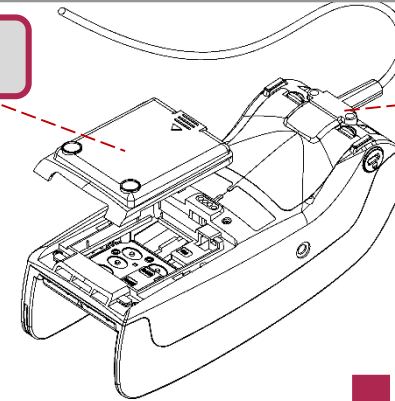
PARTS



Yomova Backplate x 1

1

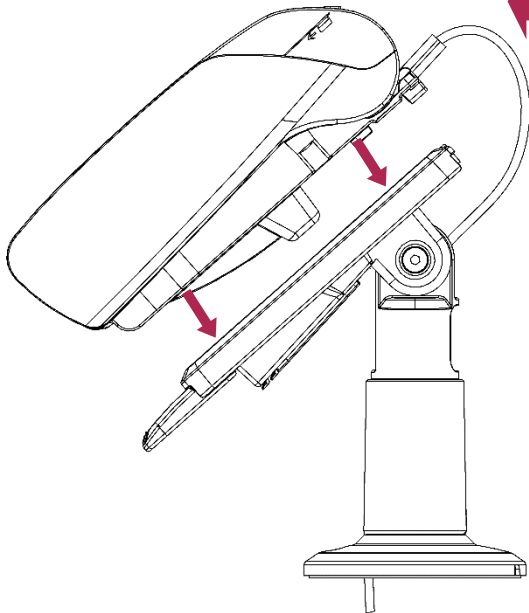
Remove SIM cover from Terminal



Feed cables through FlexiPole as instructed and connect to Terminal before fitting Backplate Terminal

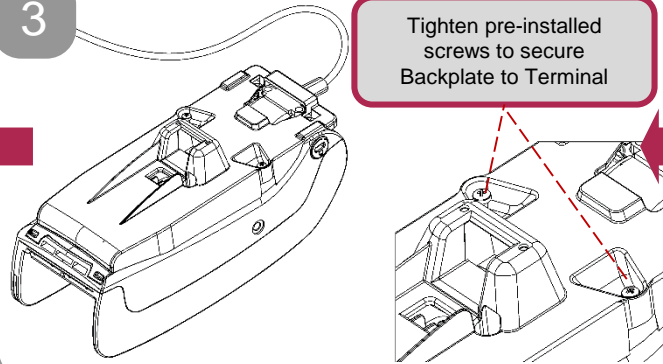
4

Fit Terminal onto FlexiPole Plinth



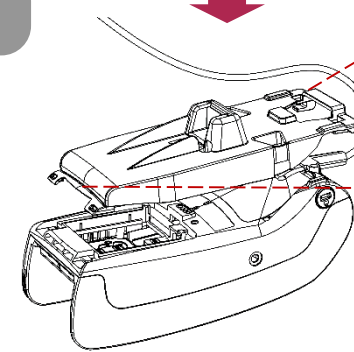
3

Tighten pre-installed screws to secure Backplate to Terminal



2

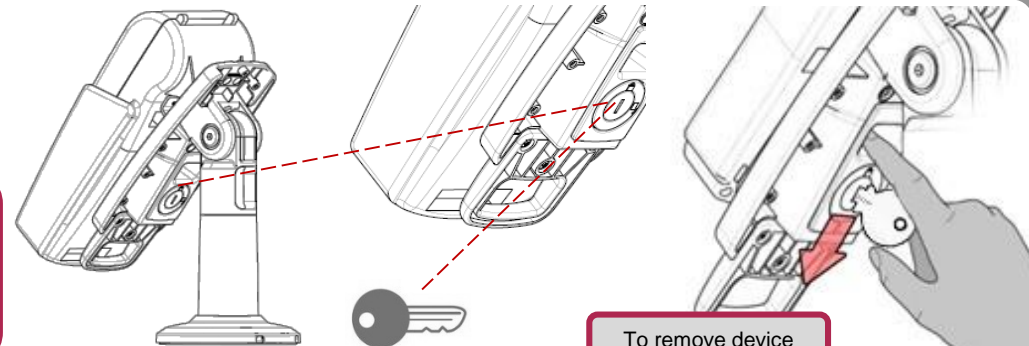
- Insert hooks into cable end of Terminal
- Slide Backplate up until lower hooks fully engage



OPTIONAL

SAFEBASE OPTION

To lock device, turn key clockwise then remove key.
To unlock, turn counter-clockwise.



To remove device