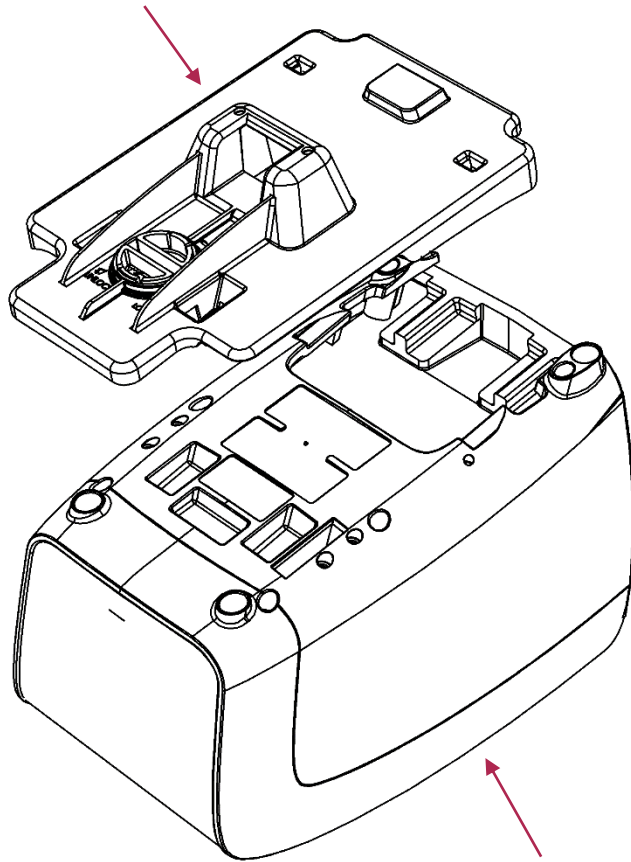
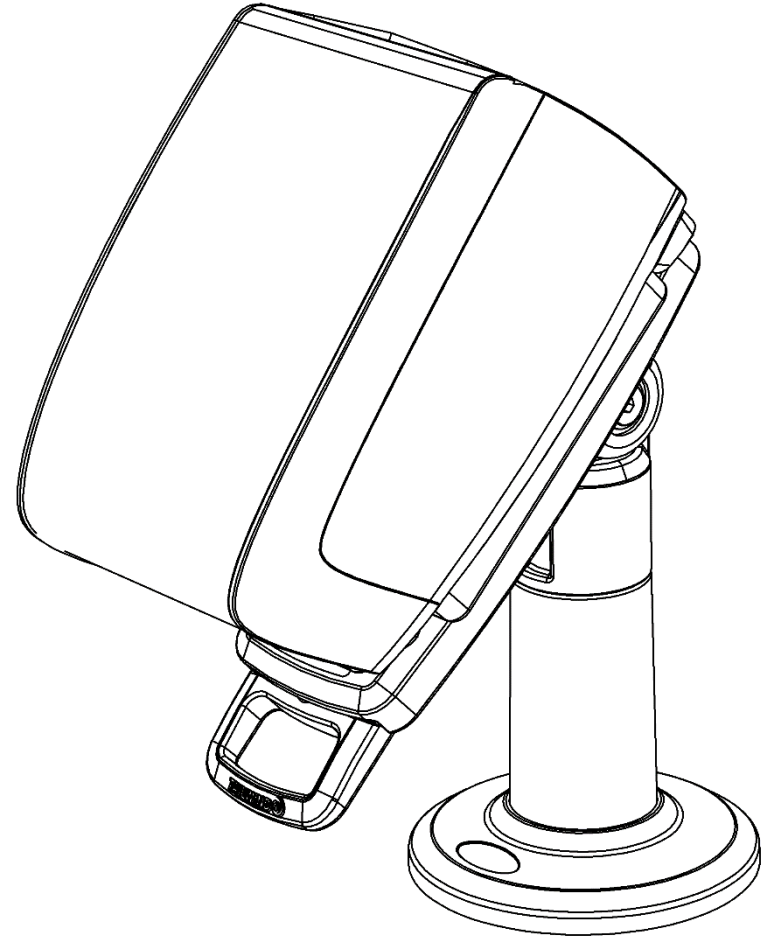


Yomani/Yomani Touch  
Backplate



Yomani/Yomani Touch  
Payment Terminal



# Yomani/Yomani Touch Backplate

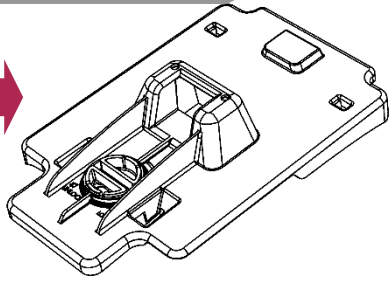
Quick Installation Guide

## TOOLS



1 min

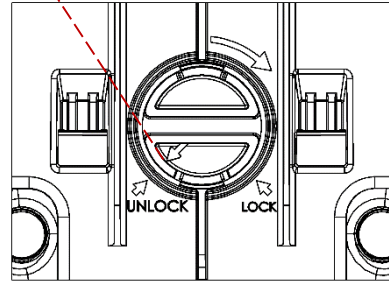
## PARTS



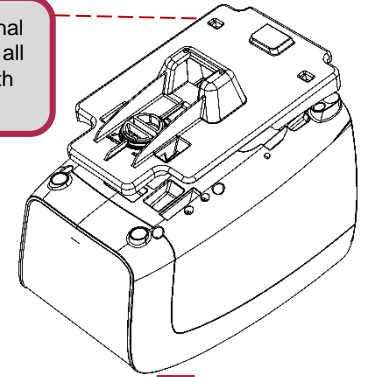
Yomani/Yomani Touch Backplate x 1

1

Ensure lock mechanism is  
In the unlocked position

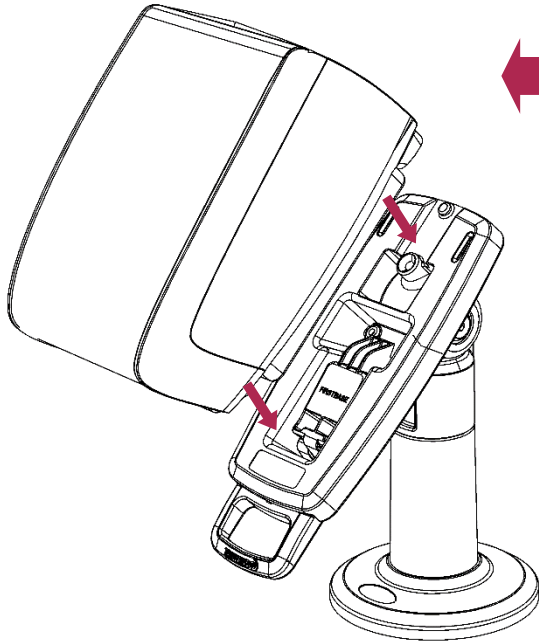


Fix Backplate to Terminal  
from top down. Ensure all  
four hooks engage with  
Terminal



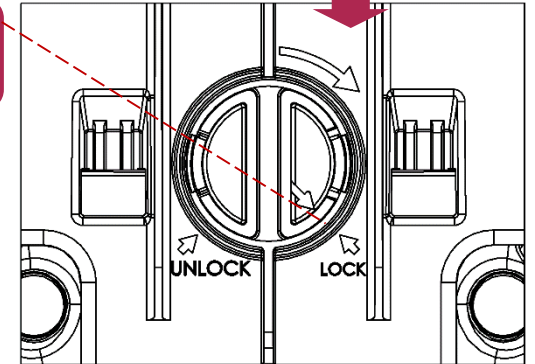
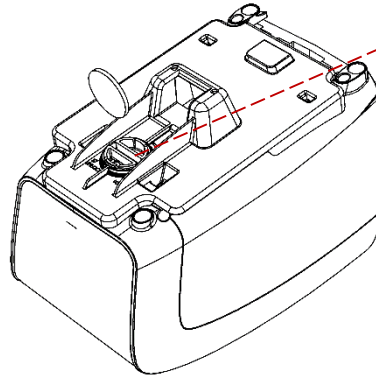
3

Fit Terminal onto  
FlexiPole Plinth



2

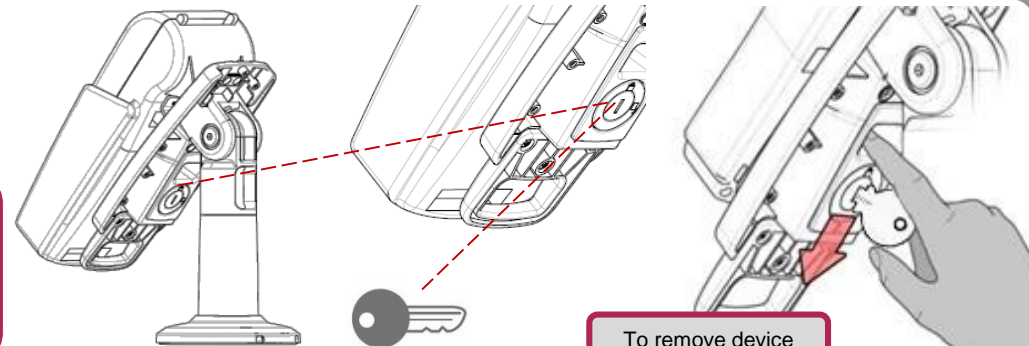
Rotate lock mechanism  
270° Clockwise until in the  
locked position



## OPTIONAL

### SAFEBASE OPTION

To lock device, turn key  
clockwise then remove key.  
To unlock, turn counter-  
clockwise.



To remove device