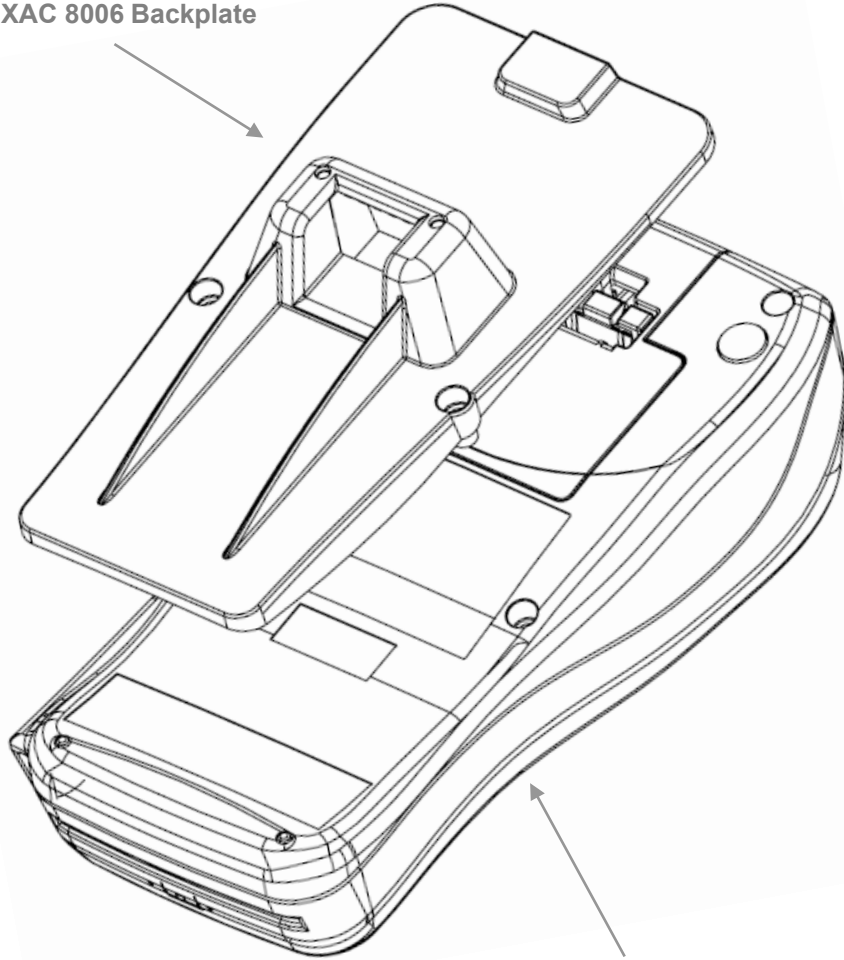


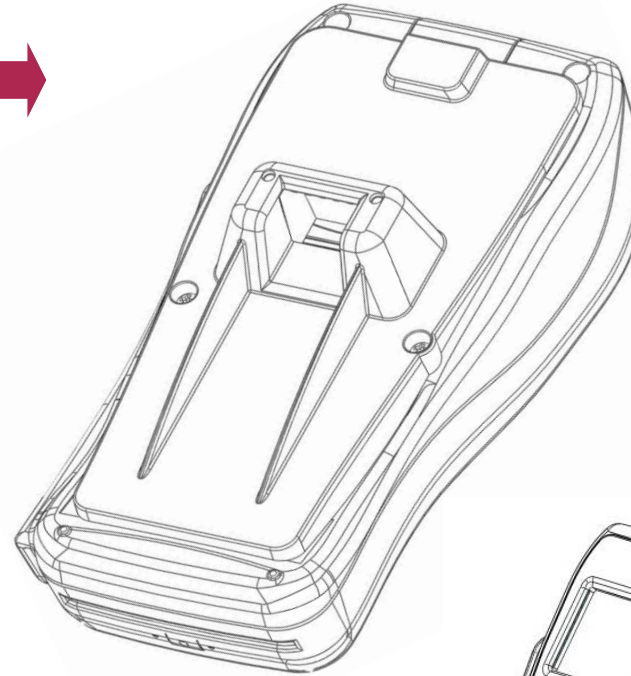
XAC 8006 Backplate

Quick Installation Guide

XAC 8006 Backplate



XAC 8006



XAC 8006 PEDPack

Quick Installation Guide

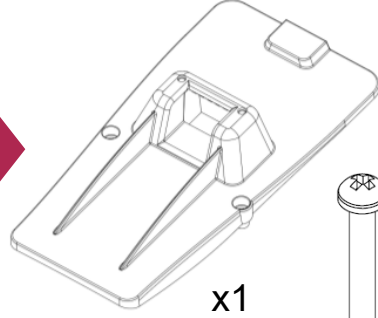
TOOLS

RECOMMENDED

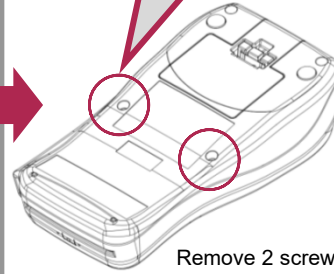
Torque setting 40CNm
for all screw fixings



PARTS



1

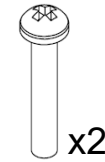


Remove 2 screws
in PED first!

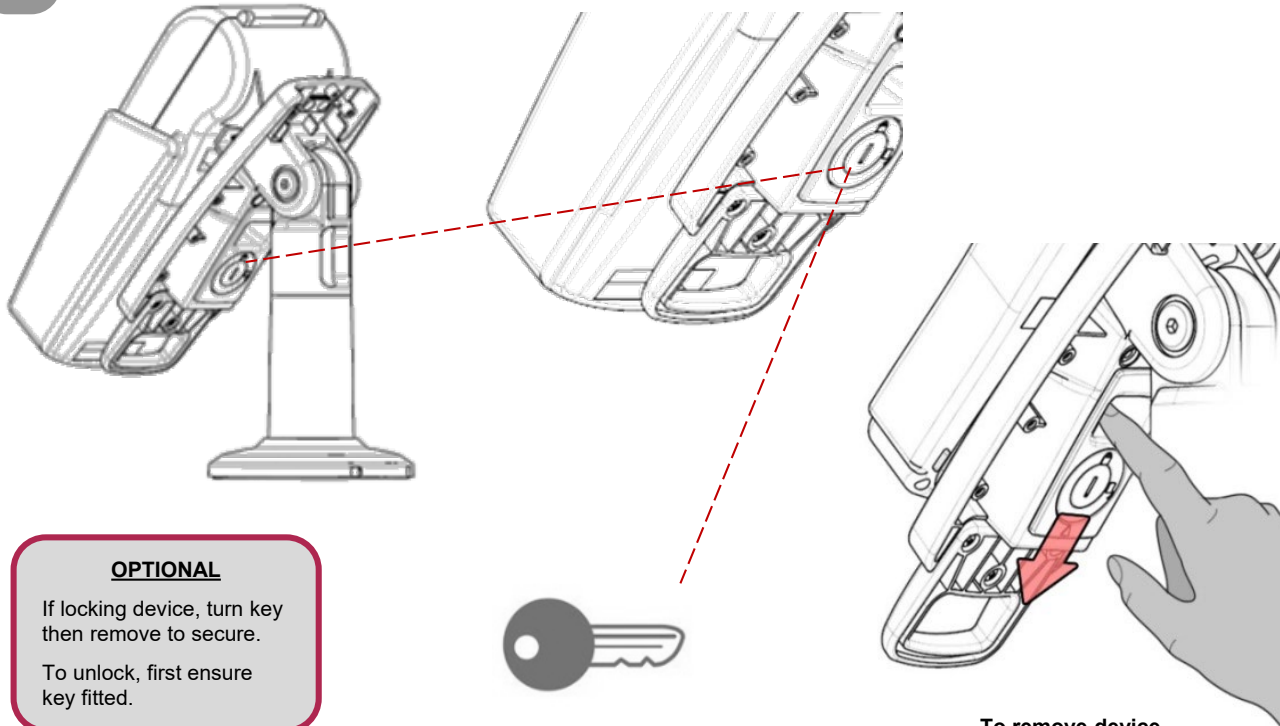
2



Torque setting 40CNm



4



OPTIONAL

If locking device, turn key
then remove to secure.

To unlock, first ensure
key fitted.

To remove device...

3

