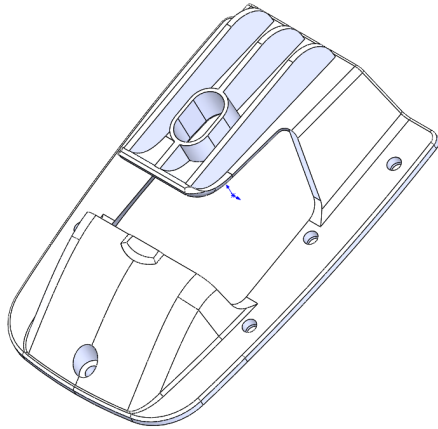


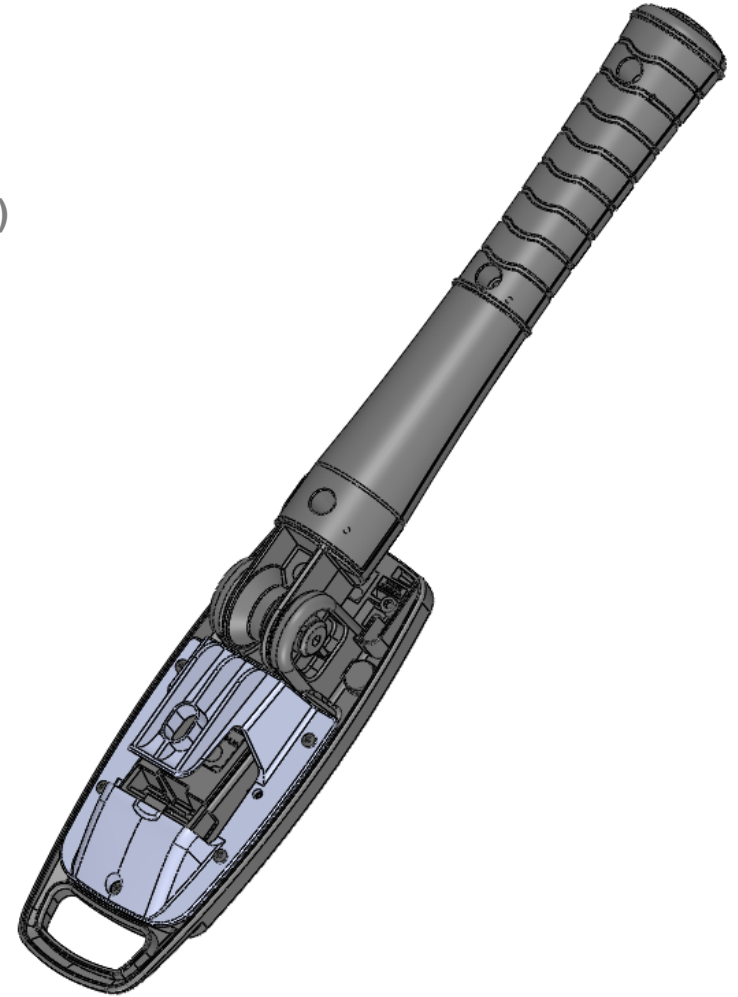
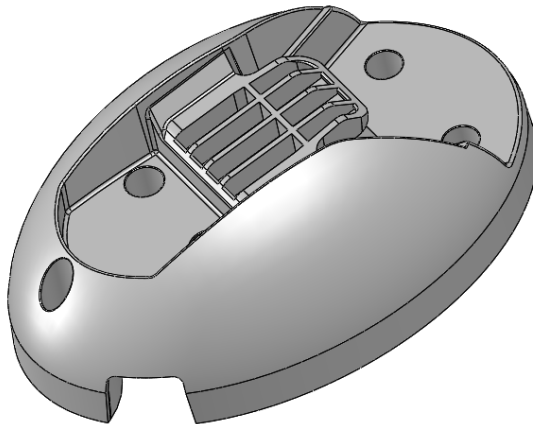
Drive-Thru Plinth Bracket (x 1)



k30 x 10 Screws (x 5)



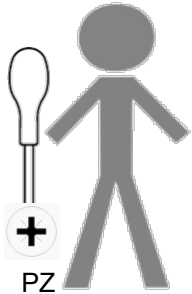
Drive-Thru Wall Mount (x 1)



Drive-Thru Wall Mount & Plinth Bracket

Quick Installation Guide

TOOLS

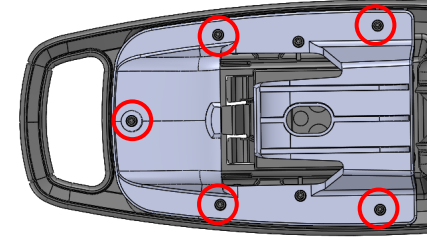


PARTS

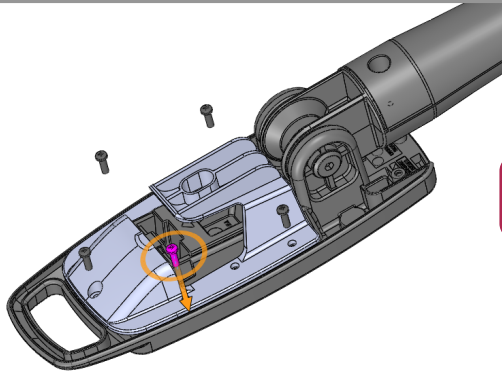


1

Line up the Plinth Bracket to the underside of the plinth on the Drive-Thru Handle so the holes are concentric. Use the 5 screw hole positions which are circled red.



2

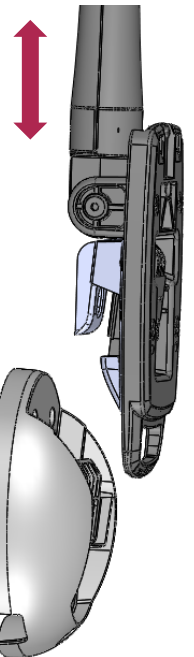


Fit screws in indicated location hand tight. Do not over tighten.

4

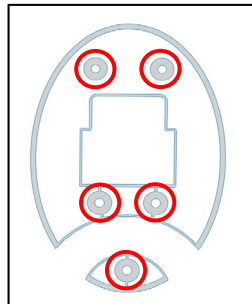
Engage and remove the handle vertically from the wall mount.

Note:
The Drive-Thru Handle and plinth must be kept in line in order to be docked to the wall mount.

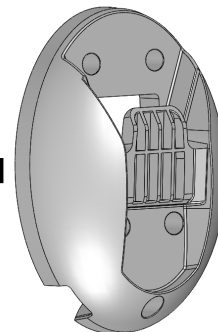


3

Print out the Wall Mount Template on A4 paper and mark with a centre punch or marker pen through the indicated screw boss holes onto the surface that the screws will be located on.



Using suitable screws for the wall being mounted to, mount in the five locations marked out in the previous step.



Must be printed at A4
To scale correctly

