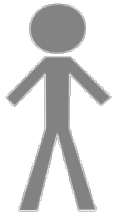


Verifone VX 520 GPRS / VX 520c Backplate

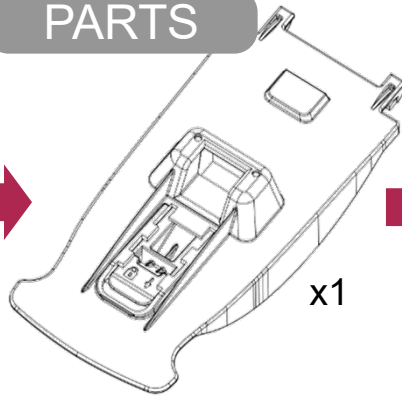
Quick Installation Guide

TOOLS

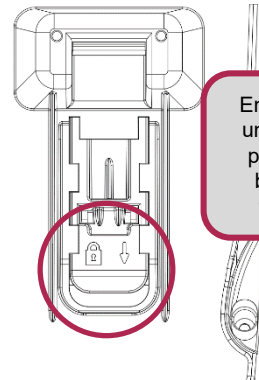


5 min

PARTS

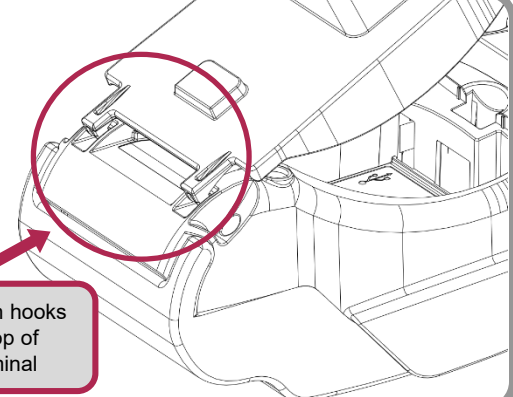


1a



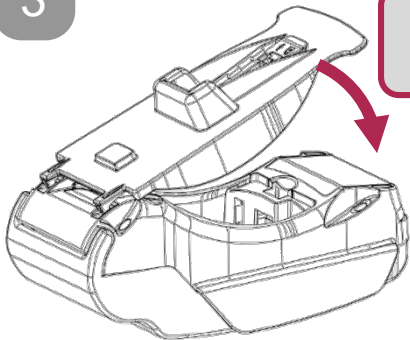
Ensure in unlocked position before fitting

1b



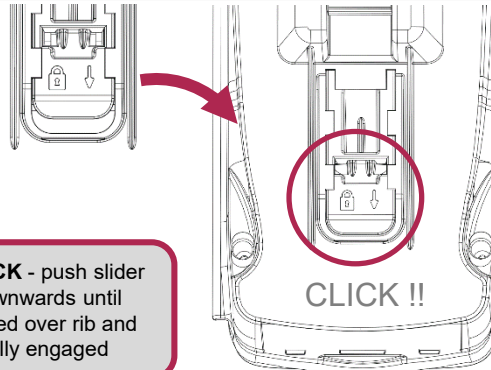
Fit both hooks at top of terminal

3



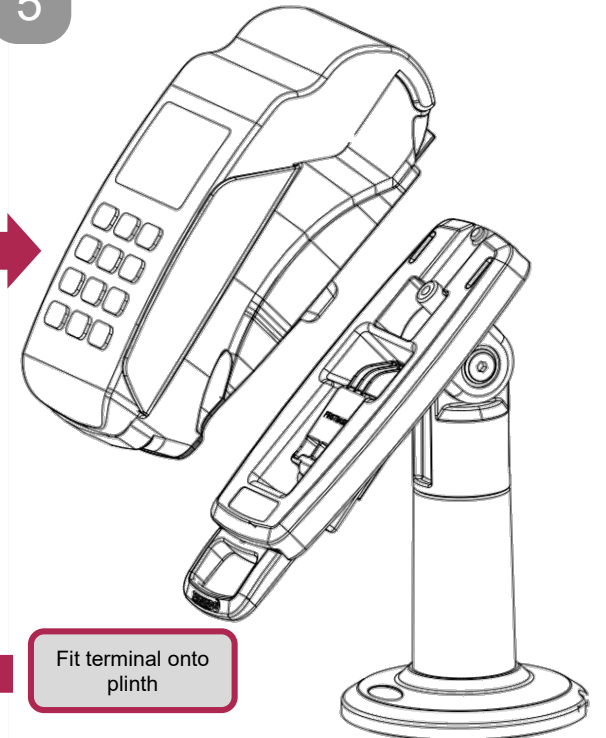
Rotate backplate down

4



CHECK - push slider downwards until clicked over rib and fully engaged

5



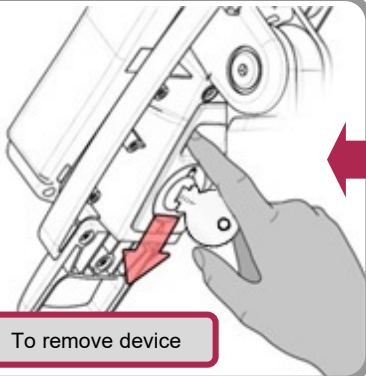
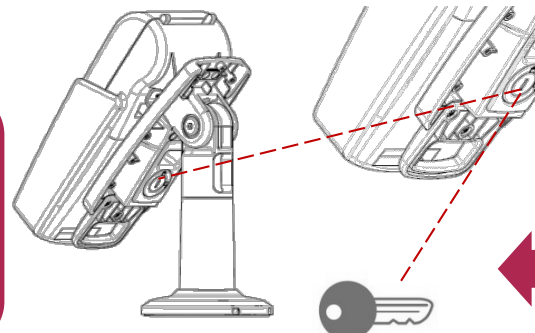
Fit terminal onto plinth

OPTIONAL

SAFEBASE OPTION

To lock device, turn key clockwise then remove key.

To unlock, first ensure key is fitted then turn counter-clockwise.



To remove device