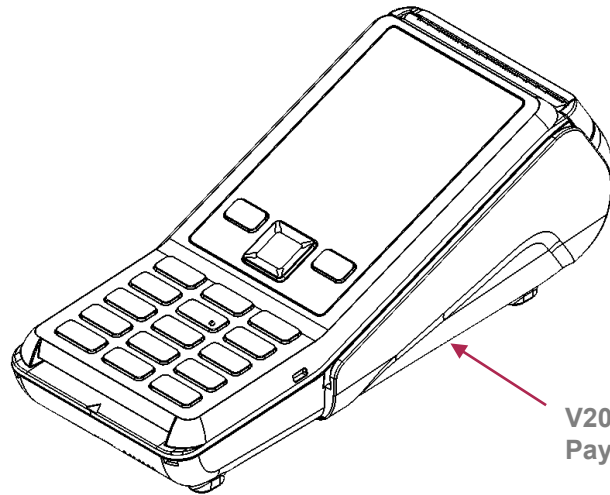
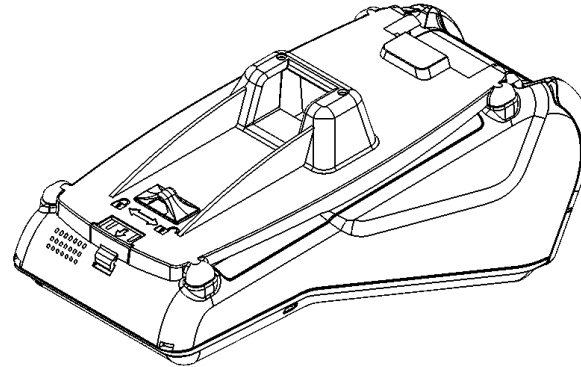
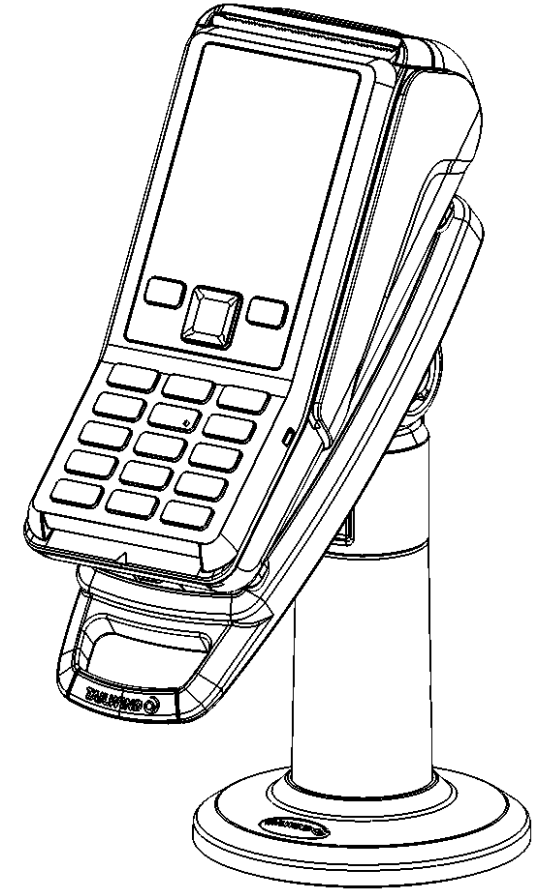


V200c/V205c/V400c  
Backplate



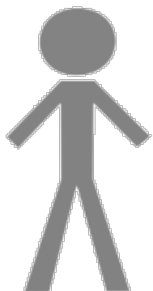
V200c/V205c/V400c  
Payment Terminal



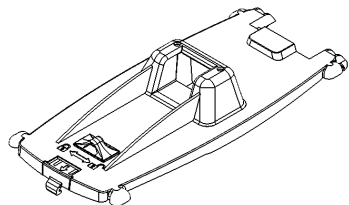
# V200c/V205c/V400c Backplate

Quick Installation Guide

## TOOLS



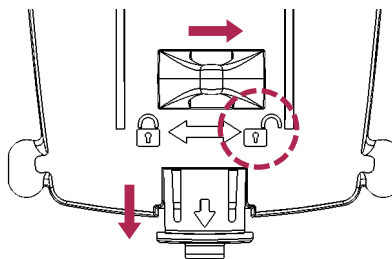
## PARTS



1X V200c/V205c/V400c Backplate

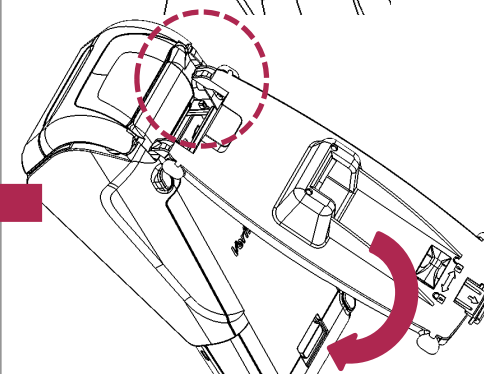
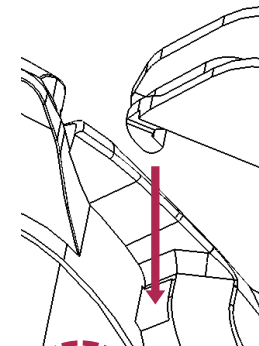
1

Move button to the right into the **unlock** position then slide clip down



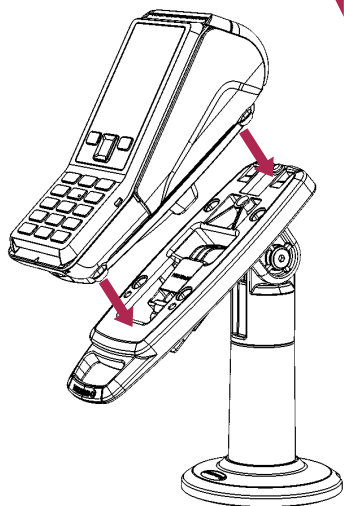
2

Insert hooks of backplate as shown then rotate flat to surface of terminal

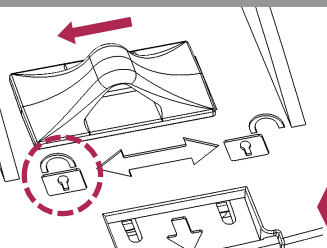


5

Fit terminal onto stand.  
Press firmly until click.



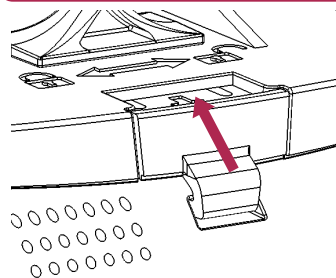
4



Move button to the left into the **lock** position.

3

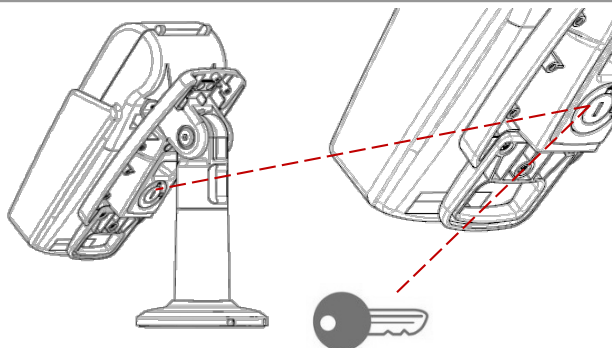
Push clip inwards ensuring clip head engages with terminal



## OPTIONAL

### **SAFEBASE OPTION**

To lock device, turn key clockwise then remove key.  
To unlock, turn counter-clockwise.



To remove device

