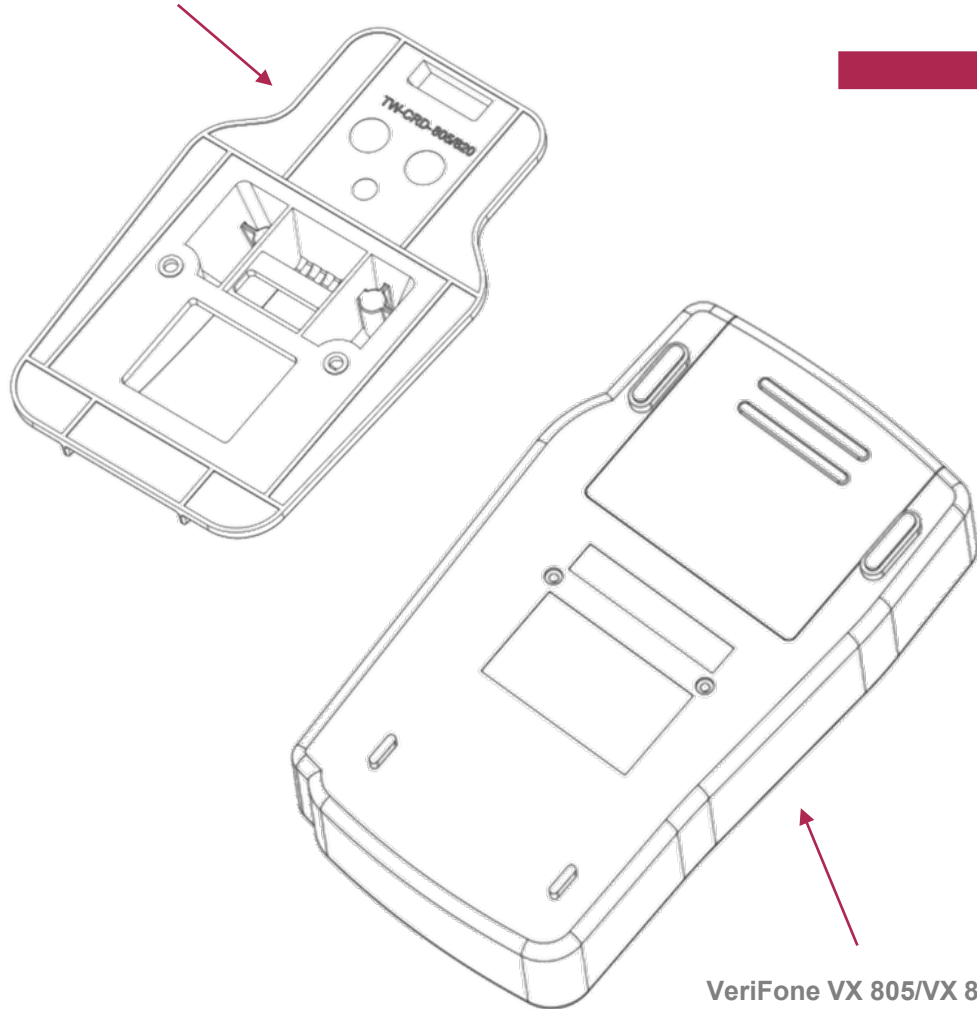
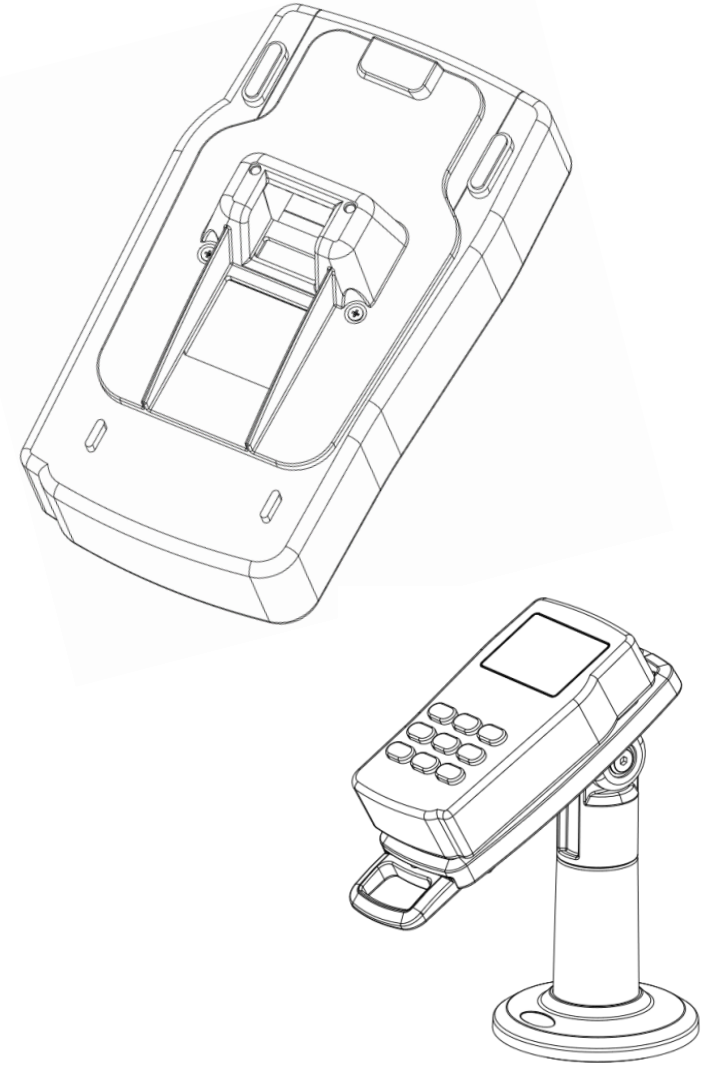


VeriFone VX 805/VX 820 Backplate



VeriFone VX 805/VX 820



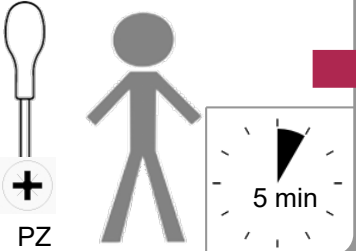
VeriFone VX 805/VX 820 PEDPack

Quick Installation Guide

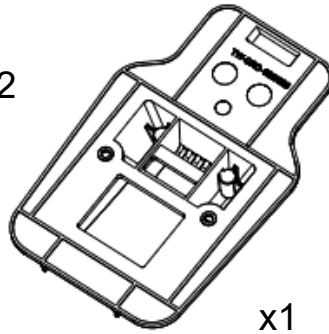
TOOLS

RECOMMENDED

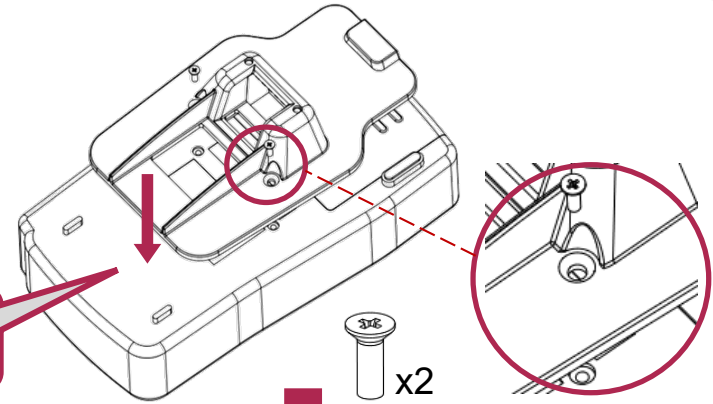
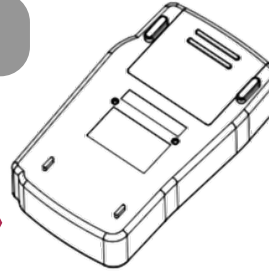
Torque setting 40CNm
for all screw fixings



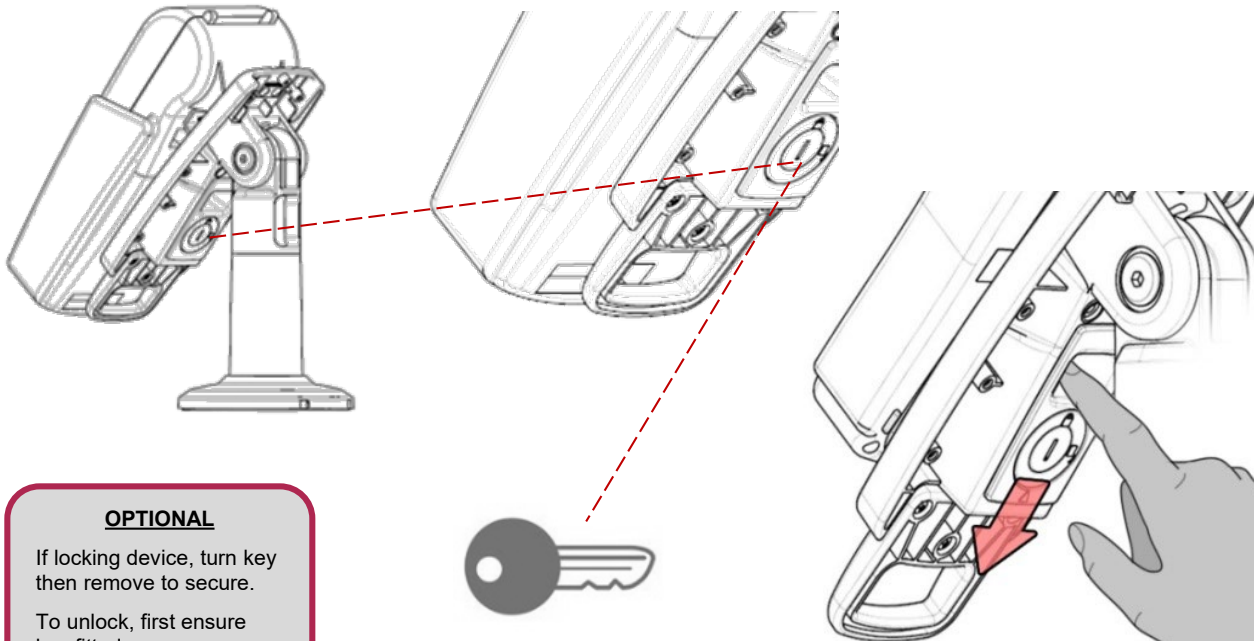
PARTS



1



3



OPTIONAL

If locking device, turn key
then remove to secure.

To unlock, first ensure
key fitted.

To remove device...

2

