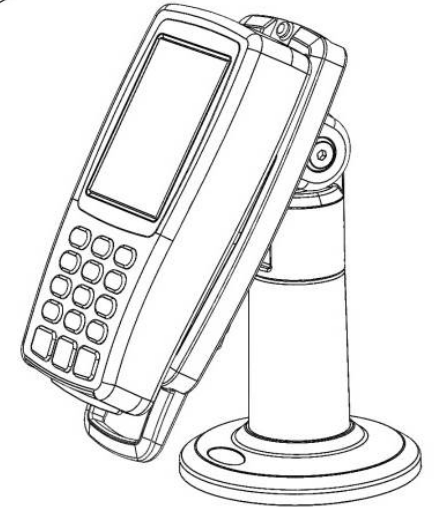
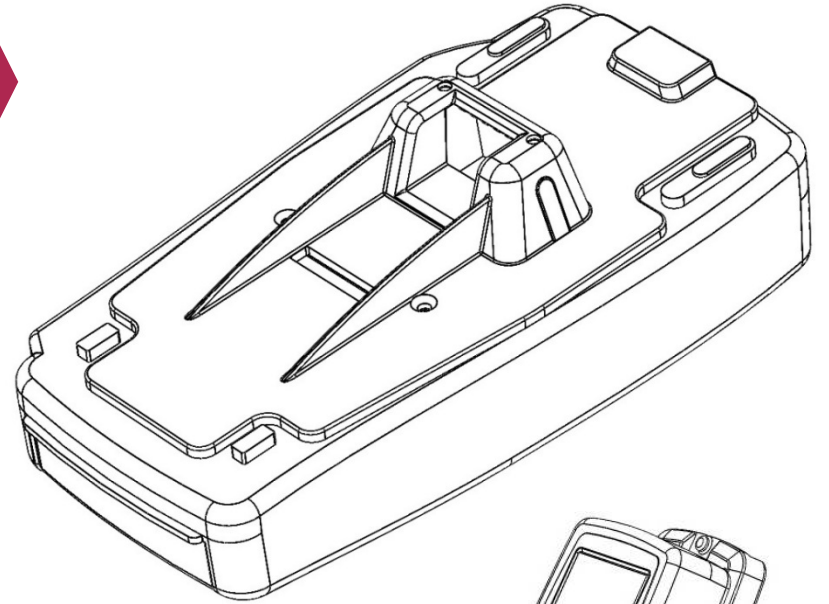
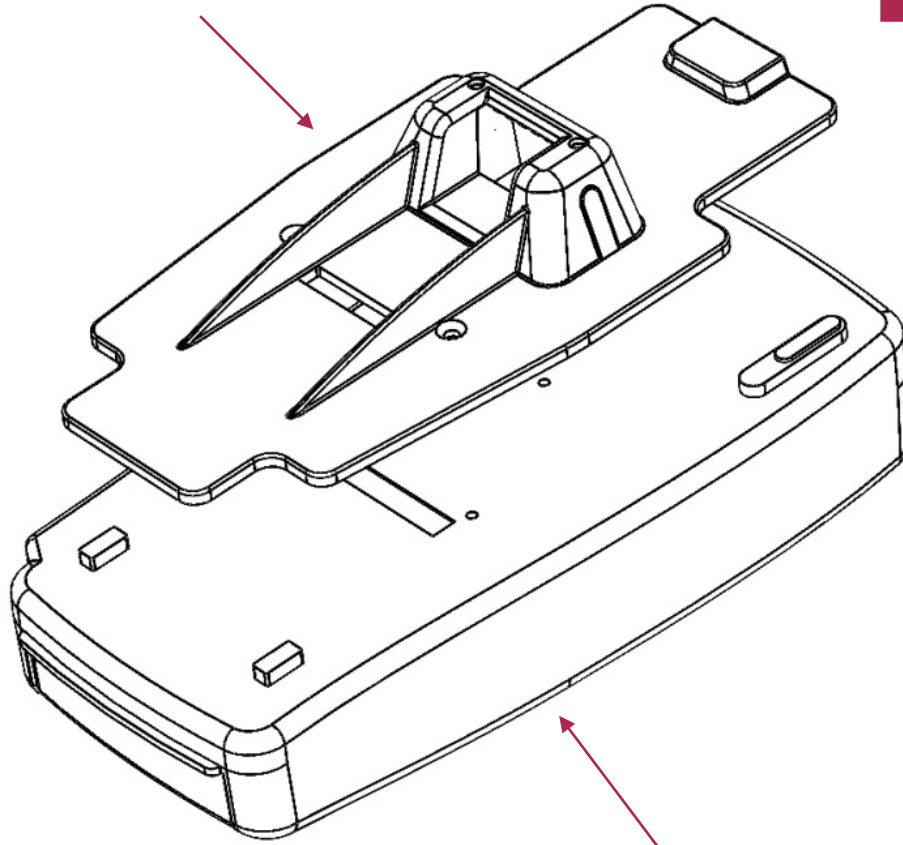


VeriFone VX 820 PEDPack



VeriFone VX 820

VeriFone VX 820 PEDPack

Quick Installation Guide

TOOLS

RECOMMENDED

Torque setting 40CNm
for all screw fixings

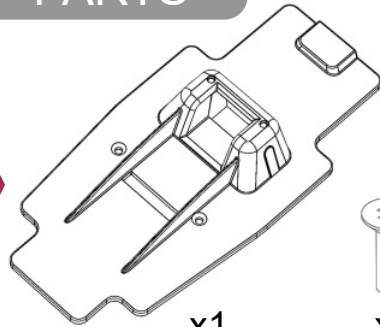


PH



5 min

PARTS

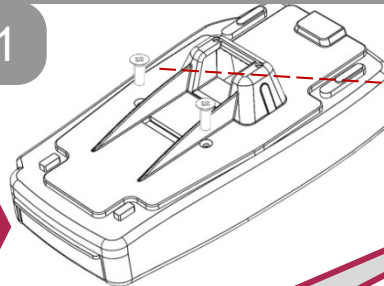


x1

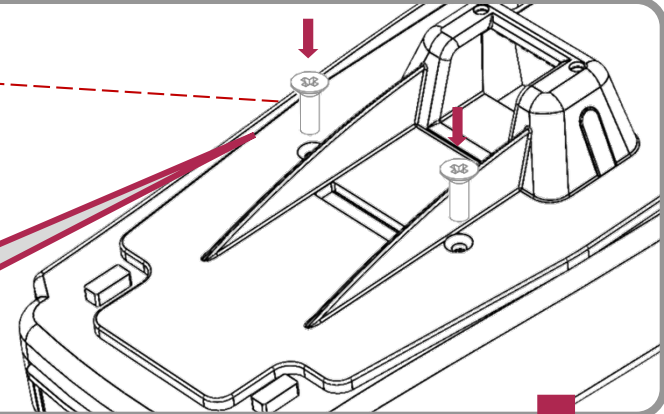
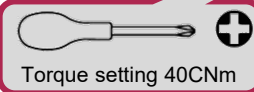


x2

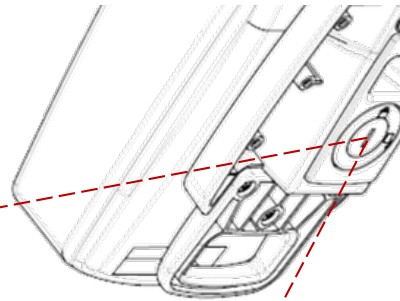
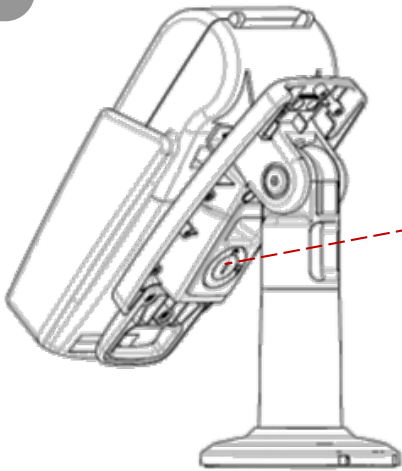
1



x2



3



OPTIONAL

If locking device, turn key
then remove to secure.

To unlock, first ensure
key fitted.

To remove device...

2

