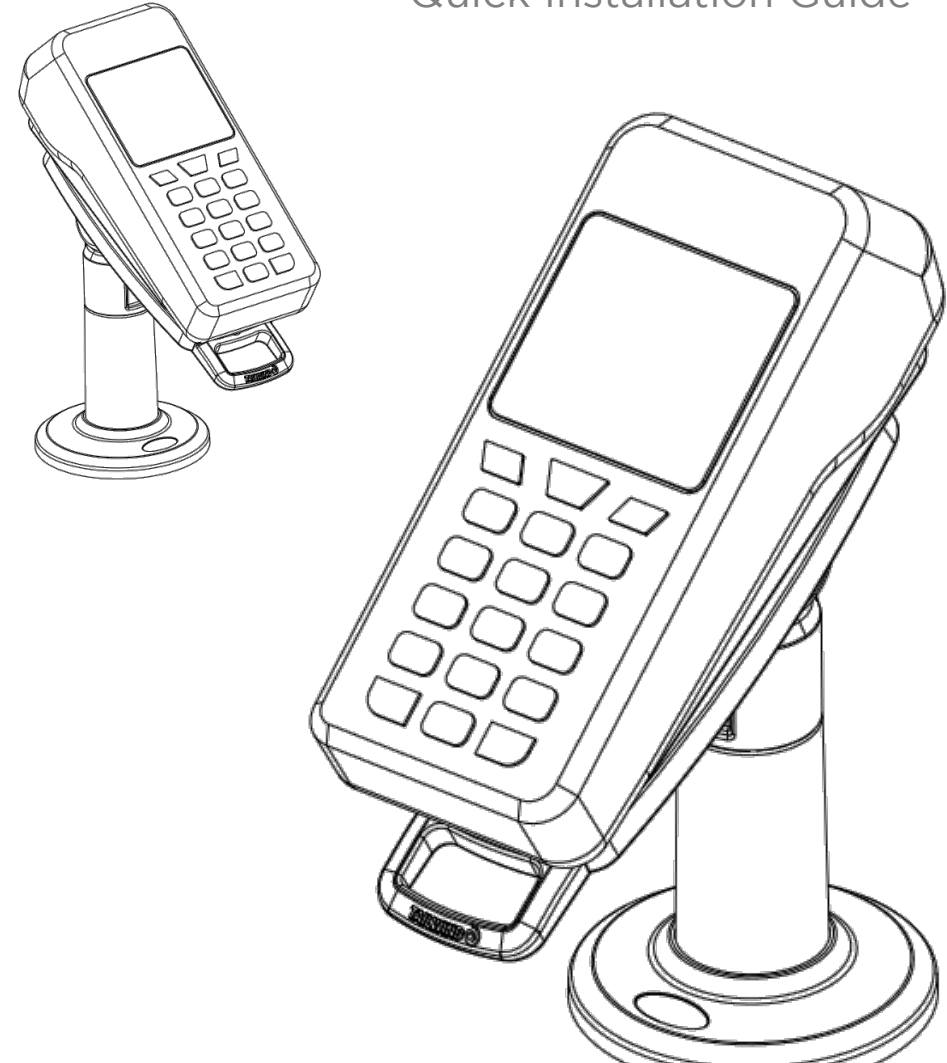


SPC50 Plastic Backplate

Quick Installation Guide



SPC50 Plastic Backplate

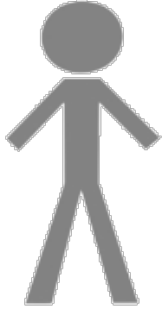
Quick Installation Guide

Revision A

SPC50 Plastic PEDPack

Quick Installation Guide

TOOLS

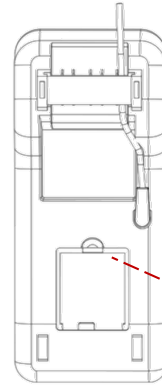


5 min

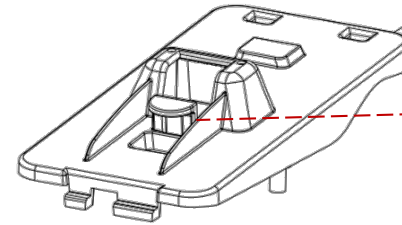
PARTS

x1

1

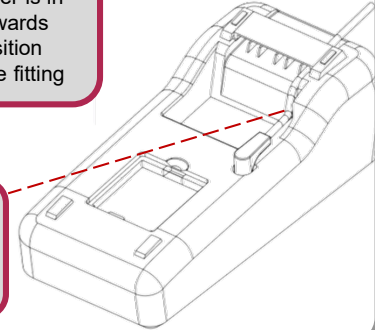


Remove battery back cover from PED

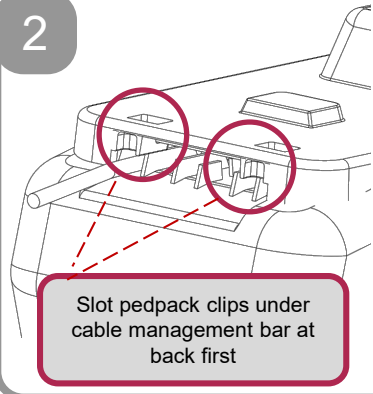


Ensure plunger is in outwards position before fitting

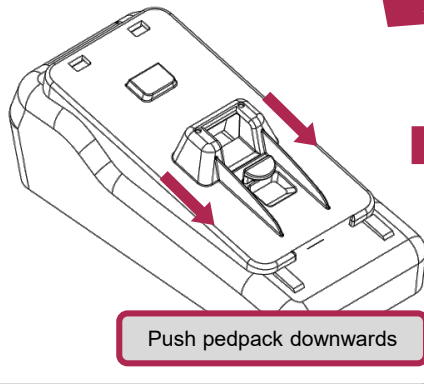
Ensure power cable is routed under cable management bar



2

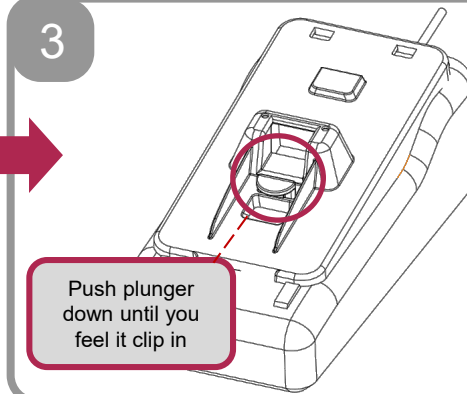


Slot pedpack clips under cable management bar at back first



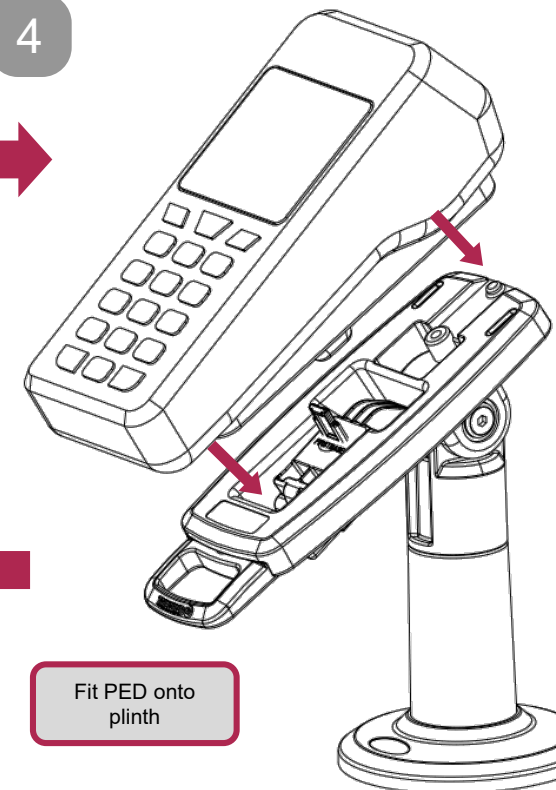
Push pedpack downwards

3



Push plunger down until you feel it clip in

4



Fit PED onto plinth

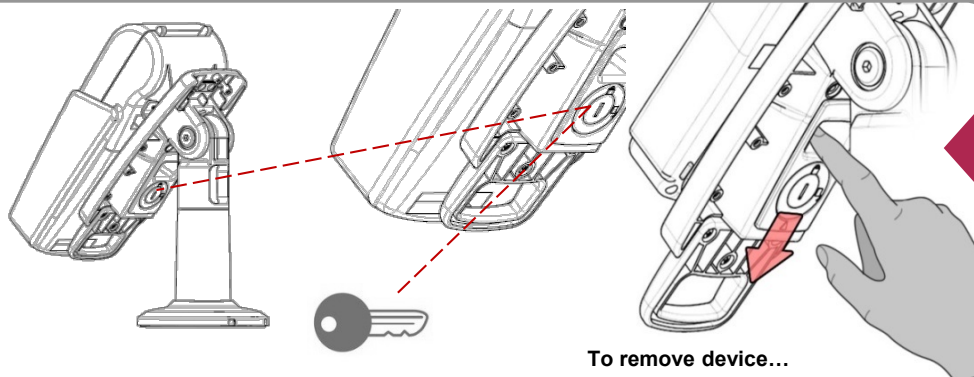
5

GENERIC PED SHOWN

OPTIONAL

If locking device, turn key then remove to secure.

To unlock, first ensure key fitted.



To remove device...