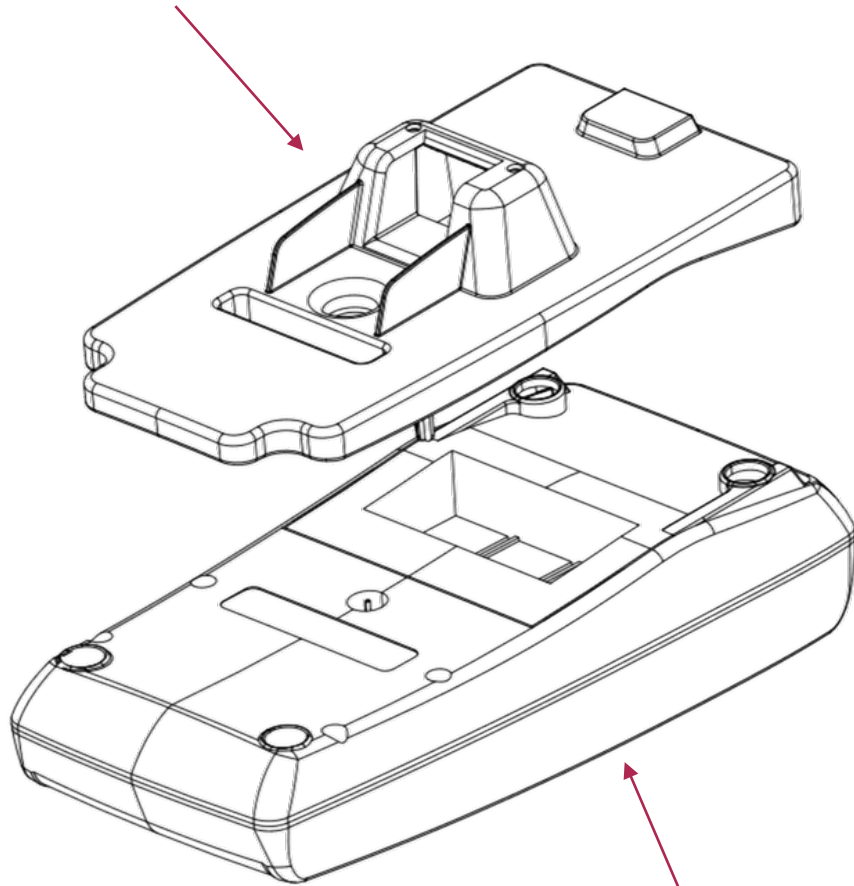


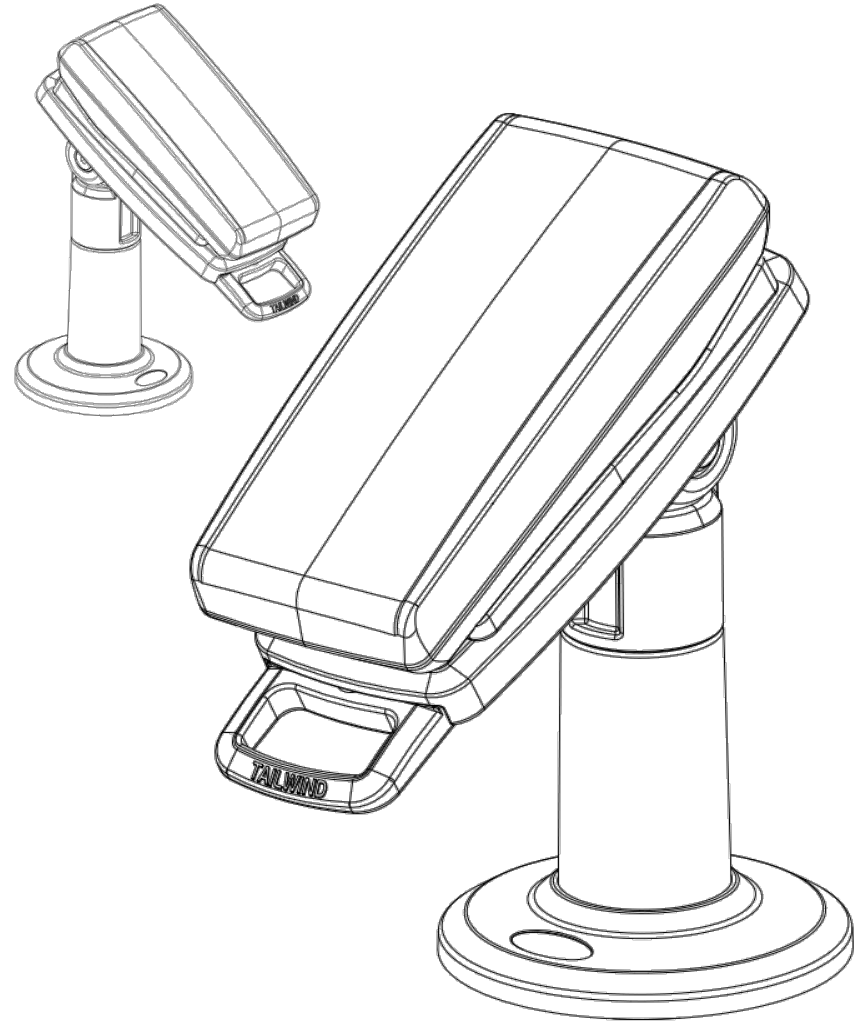
PAX S300 Backplate

Quick Installation Guide

PAX S300 Backplate



PAX S300 PED



PAX S300 PEDPack

Quick Installation Guide

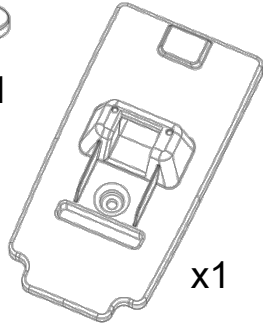
TOOLS

RECOMMENDED

Torque setting 40CNm
for all screw fixings

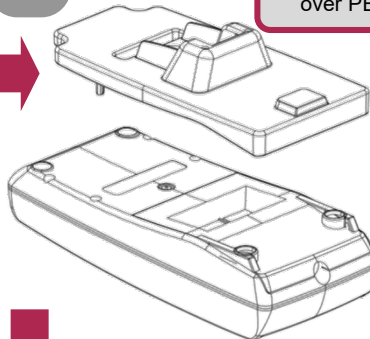


PARTS

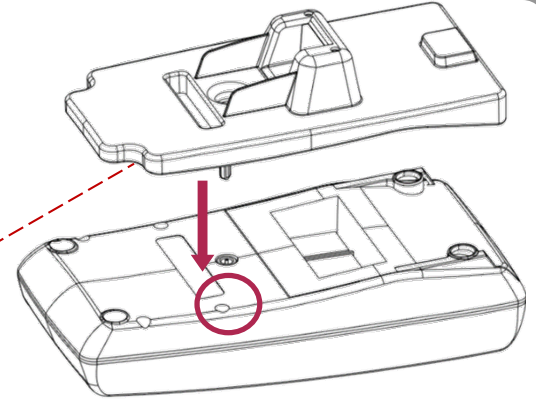


1

Fit PEDPack
over PED



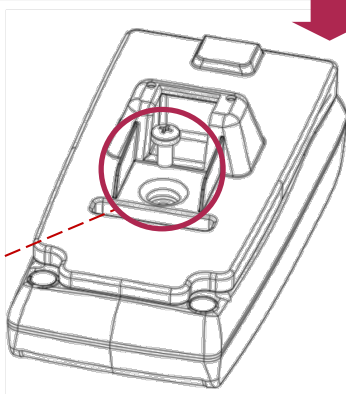
Fit tabs into
holes on
both sides



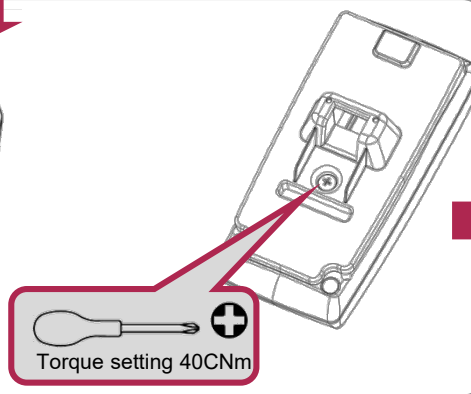
2



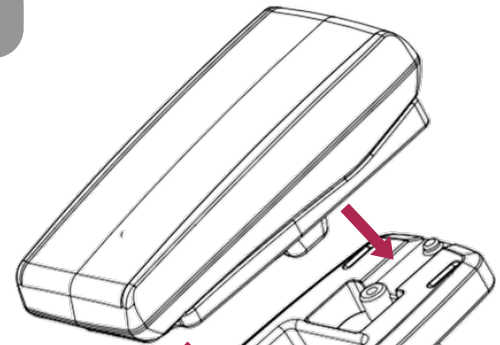
Fit screw
supplied into
hole



Torque setting 40CNm



3

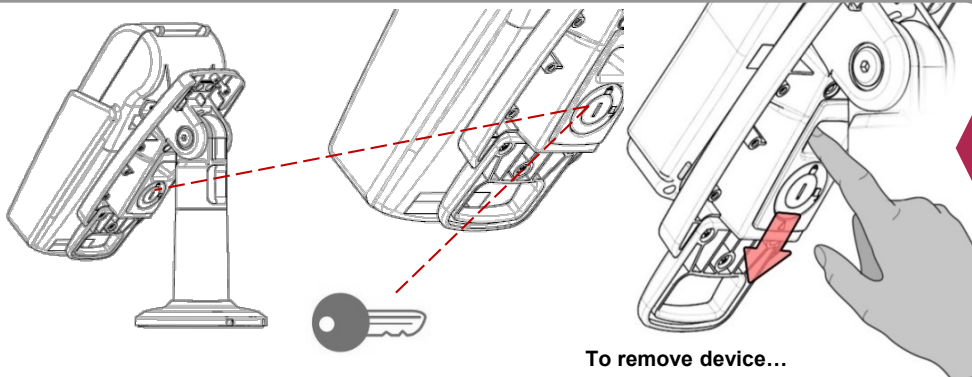


4

OPTIONAL

If locking device, turn key
then remove to secure.

To unlock, first ensure
key fitted.



To remove device...

