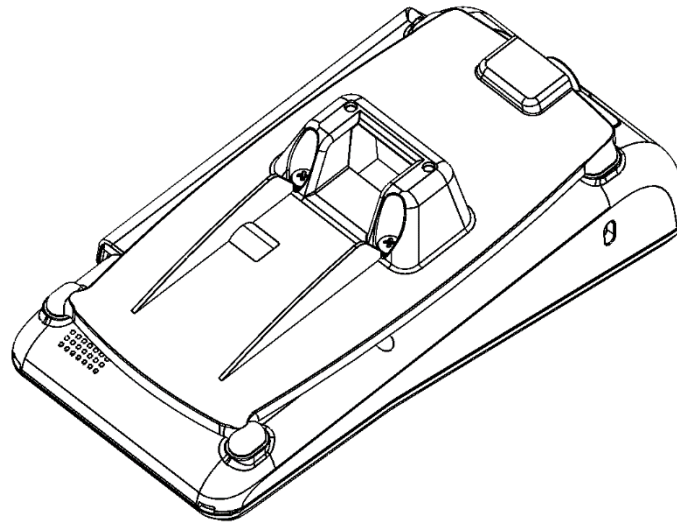
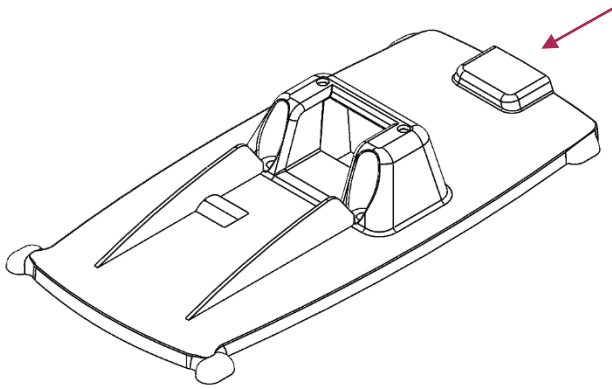
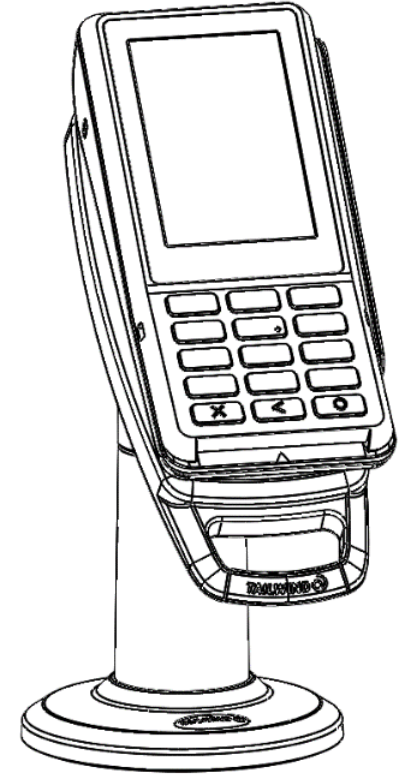
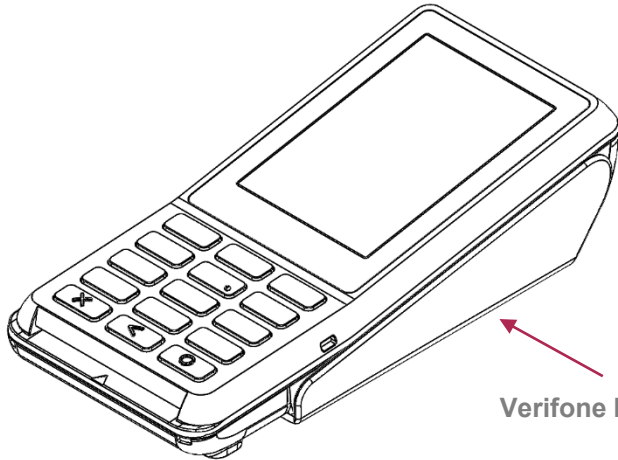


Verifone P200/P400
PEDPack



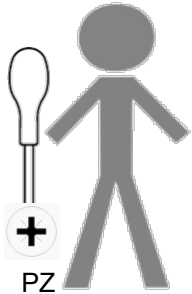
Verifone P200/P400



Verifone P200/P400 PEDPack

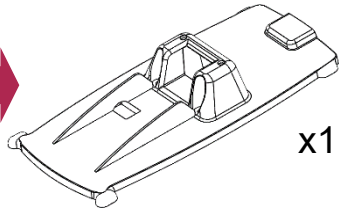
Quick Installation Guide

TOOLS



5 min

PARTS

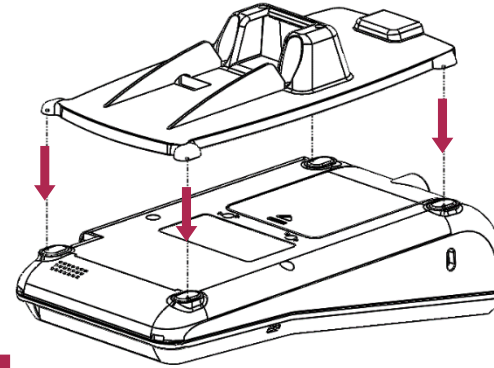


x1



x2
(M3x8mm)

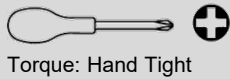
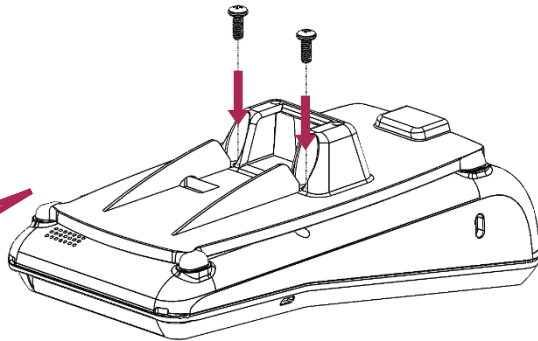
1



Place PEDPack onto PED in orientation shown.

Ensure corners of PEDPack align with rubber feet of PED.

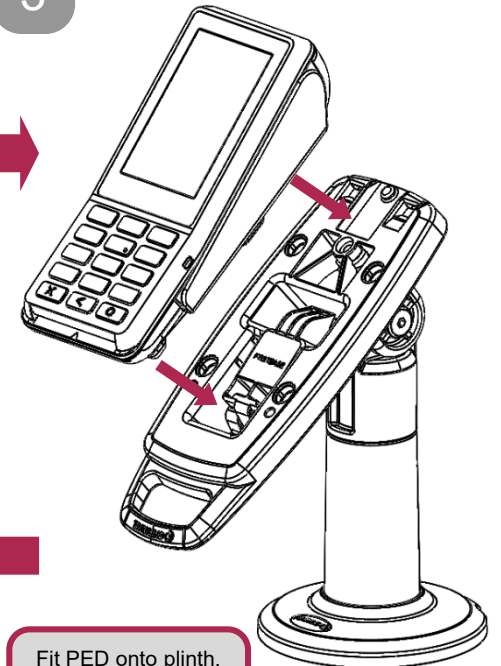
2



Torque: Hand Tight

Fit screws supplied and torque to hand tight.

3



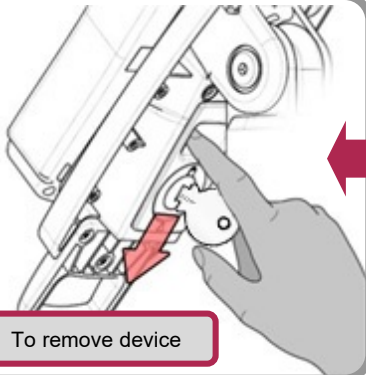
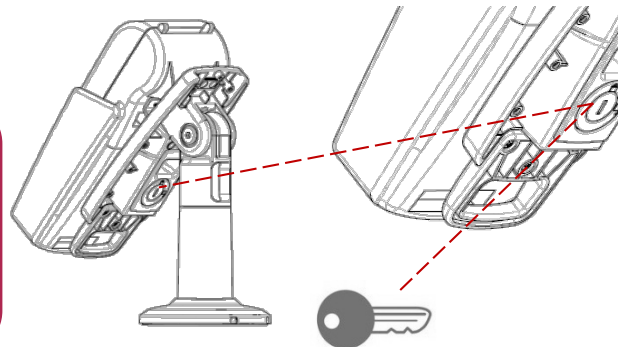
Fit PED onto plinth.
Press firmly until click.

OPTIONAL

SAFEBASE OPTION

To lock device, turn key clockwise then remove key.

To unlock, first ensure key is fitted then turn counter-clockwise.



To remove device