

FlexiPole Connect (PC)

Quick Installation Guide

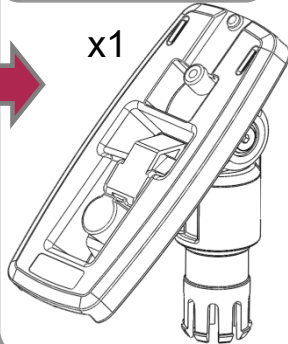
TOOLS



5 min

PARTS

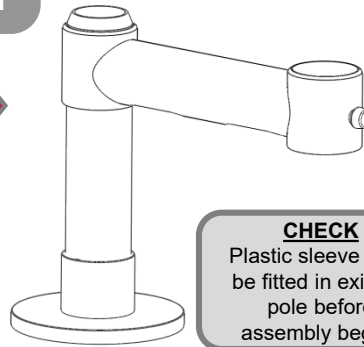
x1



x1

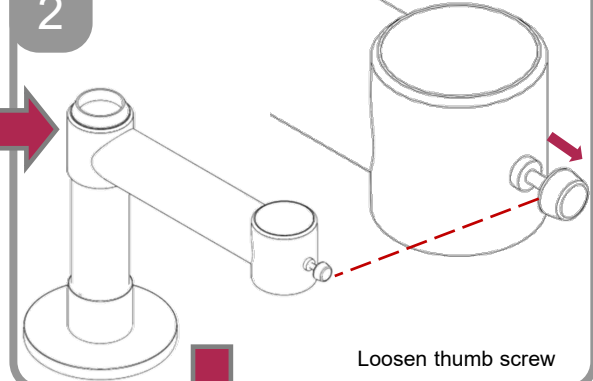


1



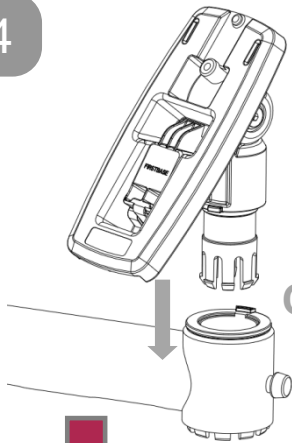
CHECK
Plastic sleeve must be fitted in existing pole before assembly begins

2



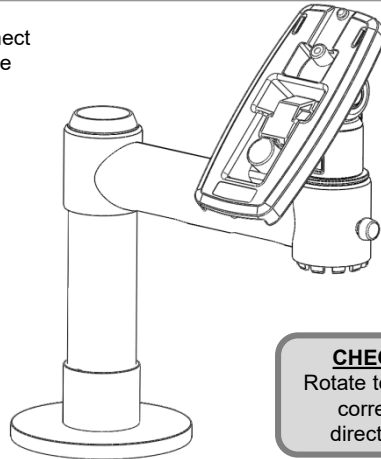
Loosen thumb screw

4



Slot Flexipole Connect downwards into pole

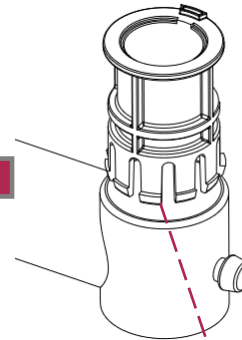
CLICK!!



CHECK
Rotate to face correct direction

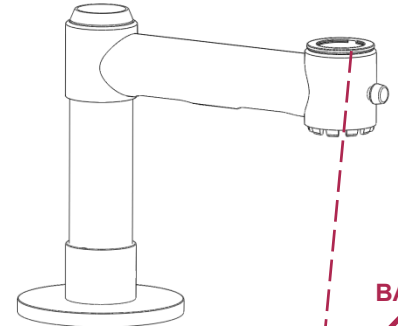
3

1. Fit Flexipole plug by pushing down



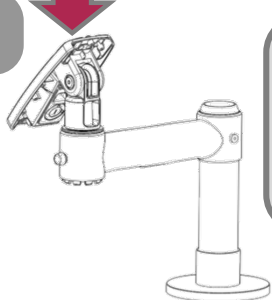
CLICK!!

2. Tighten thumb screw until no more turns



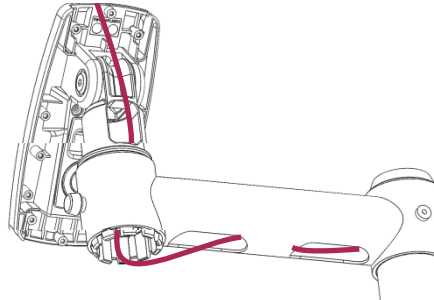
BACK

5



IF REQUIRED

Ped Fitting Instructions
Ensure cables slotted through pole correctly



CHECK
Plastic teeth should rest on metal edge

CHECK
Feature at back