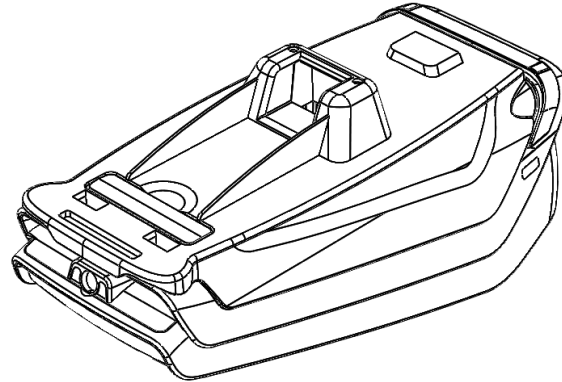
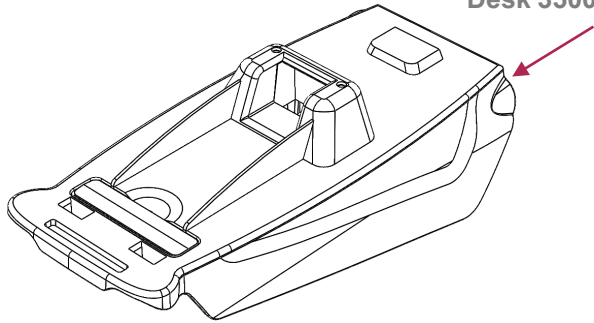
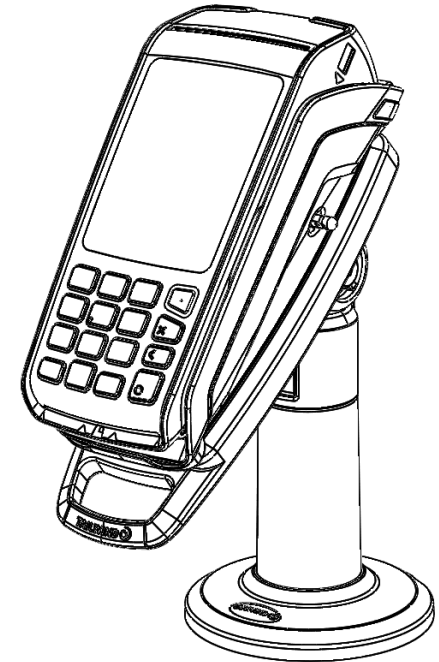


Desk 3500/5000 Backplate



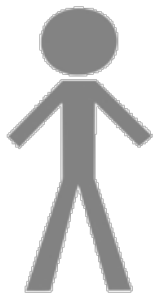
Desk 3500/5000  
Payment Terminal



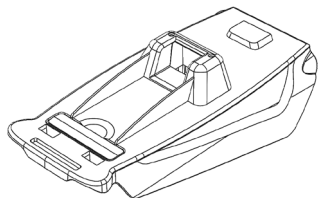
# Desk 3500/5000 Backplate

Quick Installation Guide

## TOOLS



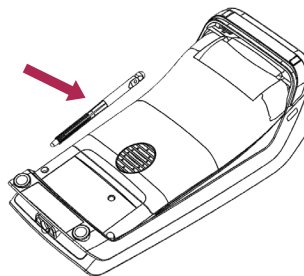
## PARTS



1 x Desk 3500/5000 Backplate

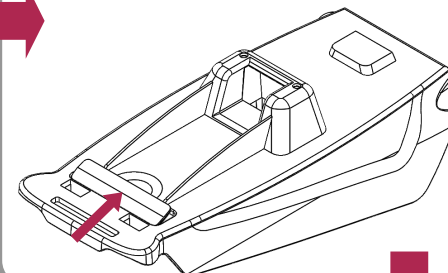
1

Remove stylus from  
Payment Terminal.



2

Check clip is in open position.



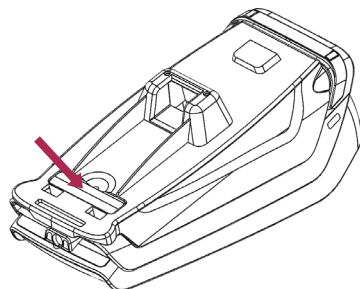
5

Slide stylus into side of  
backplate.



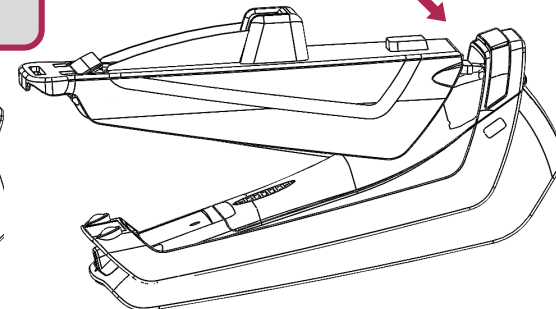
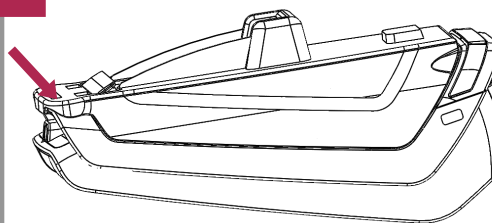
4

Press clip down firmly until click.



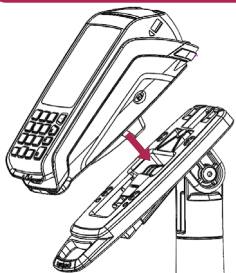
3

Hook backplate under rear stand of  
Payment Terminal.  
Rotate and press firmly until click.



6

Fit Terminal onto stand.  
Press firmly until click.

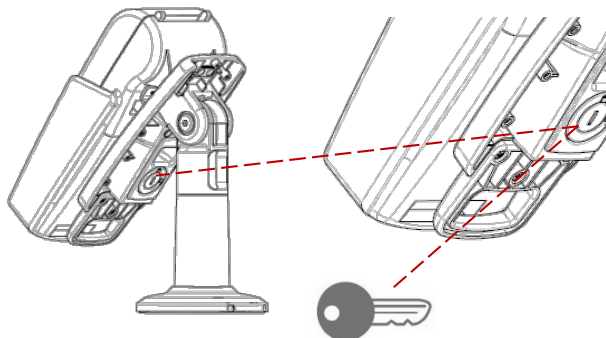


## OPTIONAL

### **SAFEBASE OPTION**

To lock device, turn key  
clockwise then remove key.

To unlock, turn counter-  
clockwise.



To remove Terminal

