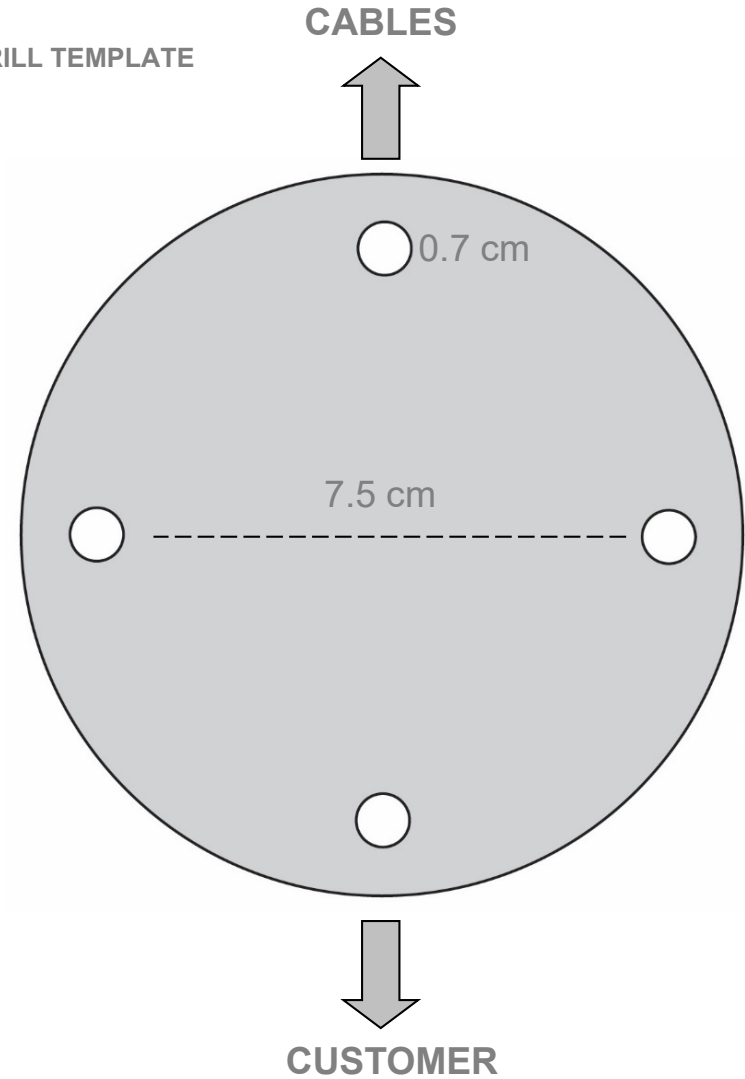


DRILL TEMPLATE



FlexiPole Complete

Quick Installation Guide

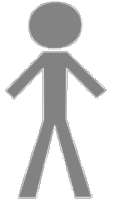
TOOLS

Drill/Screwdriver
(if mounting with screws)

Note

No drill required if using adhesive pad provided.

If using drill template, use suitably qualified personnel to install.



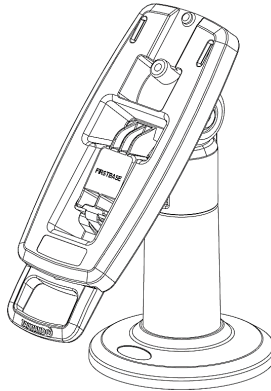
PARTS



x1



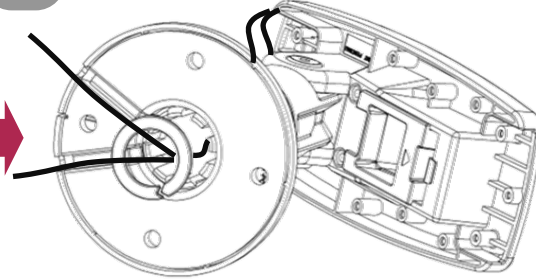
x1



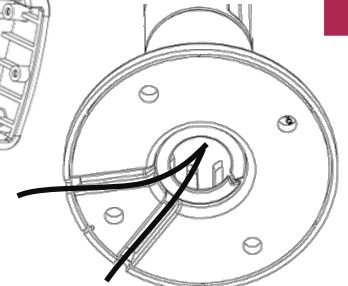
x1

1

Cable Management



Optional
Use washer as shown, if routing cables through pole.



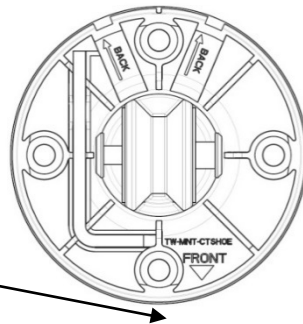
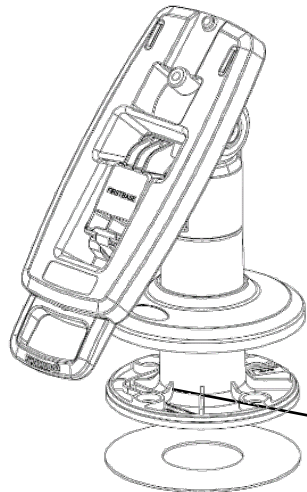
2

Mounting with adhesive or screws

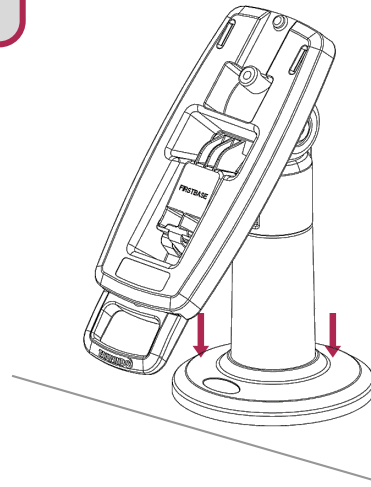
NOTE

For screw mount – use drill template supplied. Drill will be required. Use qualified personnel.

PUSH down here



CUSTOMER SIDE



3

