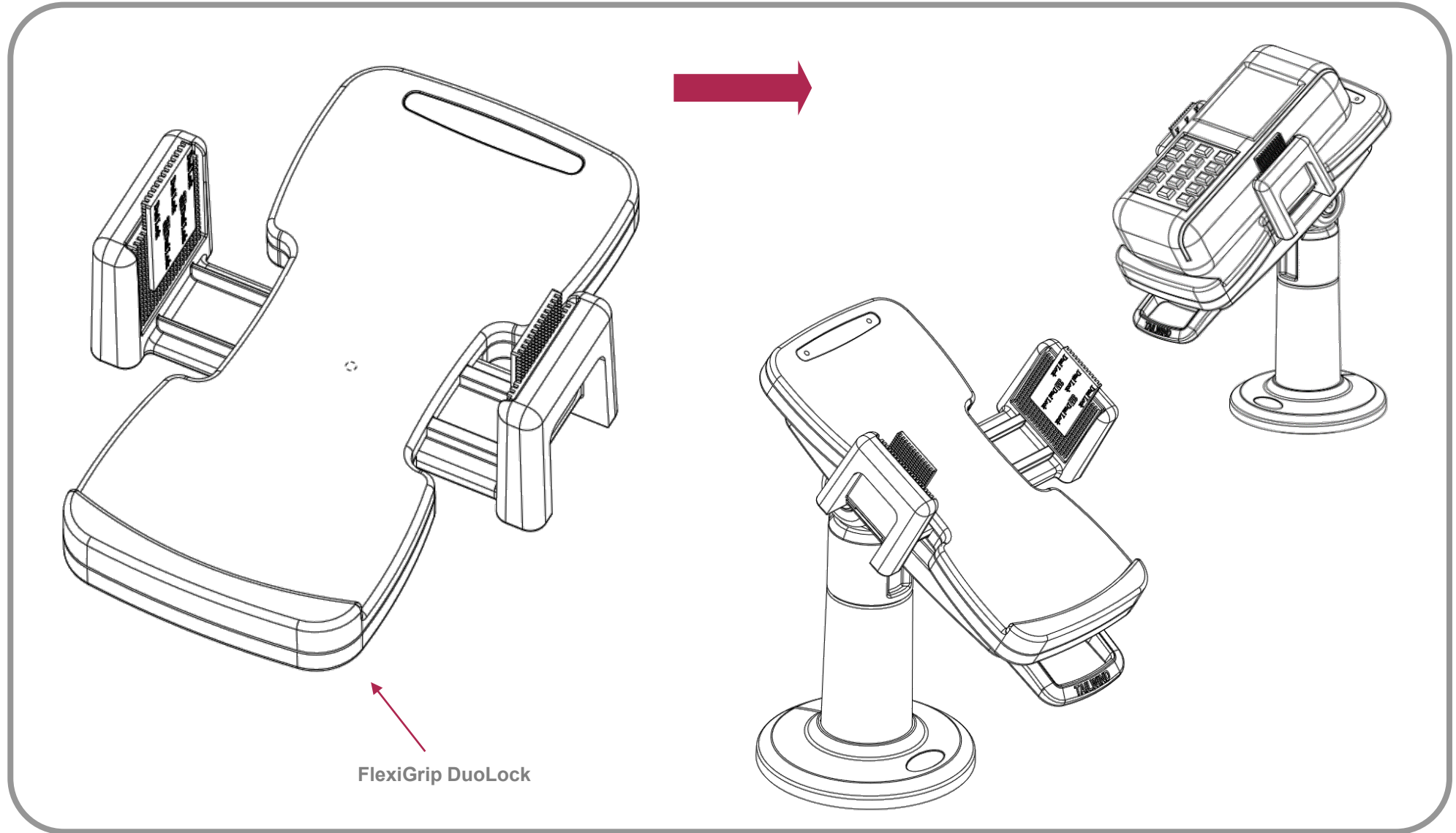


FlexiGrip DuoLock

Quick Installation Guide



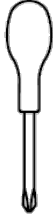
FlexiGrip DuoLock

Quick Installation Guide

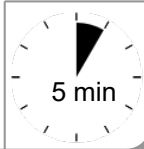
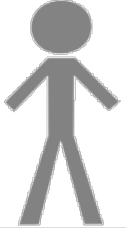
TOOLS

RECOMMENDED

Torque setting 40CNm for all screw fixings unless otherwise stated.

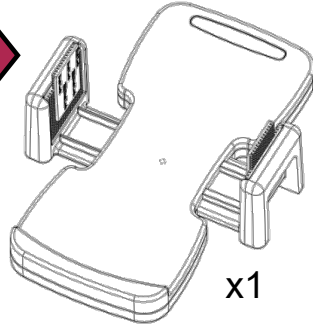


PZ



5 min

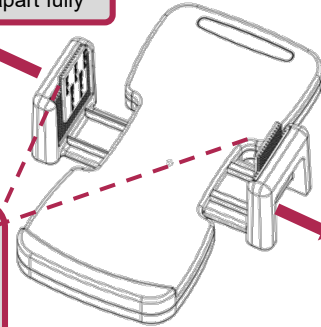
PARTS



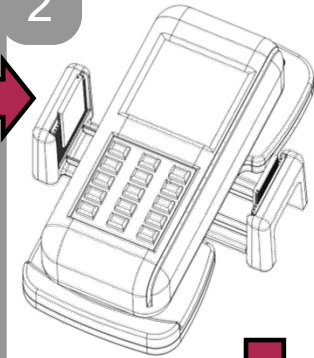
1

Pull arms apart fully

IMPORTANT
Peel off plastic protective backing from both thin pads



2

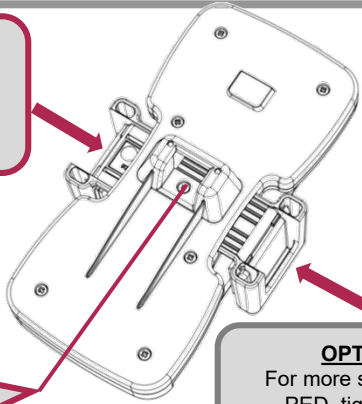
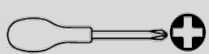


IMPORTANT
Place PED into FlexiGrip, ensuring the DuoLock pads do not interfere with card swipe area

5

IMPORTANT
Grip tightly at sides of arms while screwing

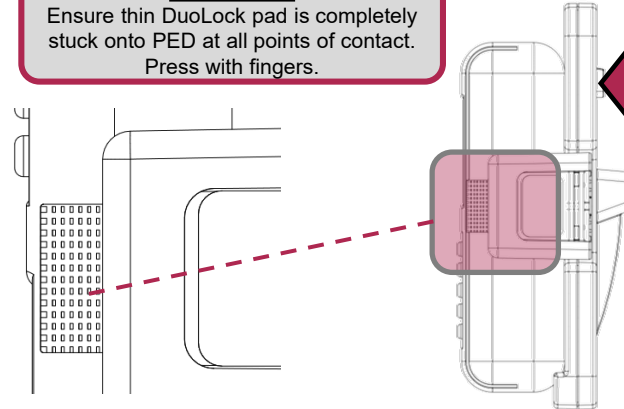
Tighten screw fully



OPTIONAL
For more secure grip of PED, tighten screw clockwise with screwdriver

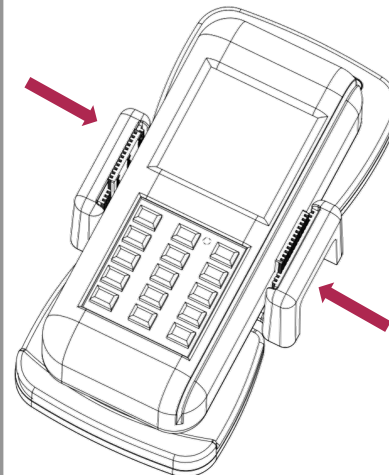
4

IMPORTANT
Ensure thin DuoLock pad is completely stuck onto PED at all points of contact. Press with fingers.



3

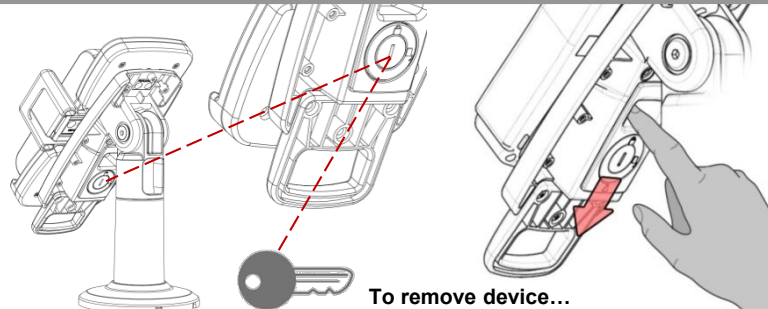
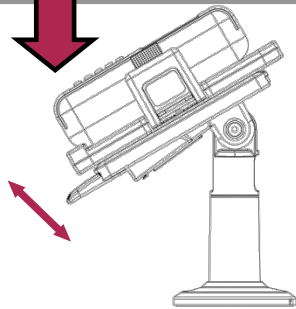
IMPORTANT
Push arms together as tightly as possible



7

OPTIONAL

If locking device, turn key then remove to secure.
To unlock, first ensure key fitted.



To remove device...