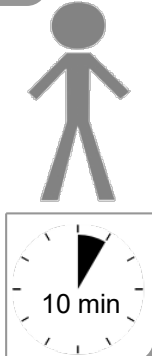
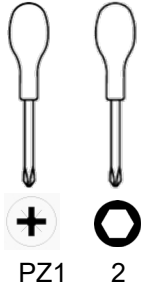


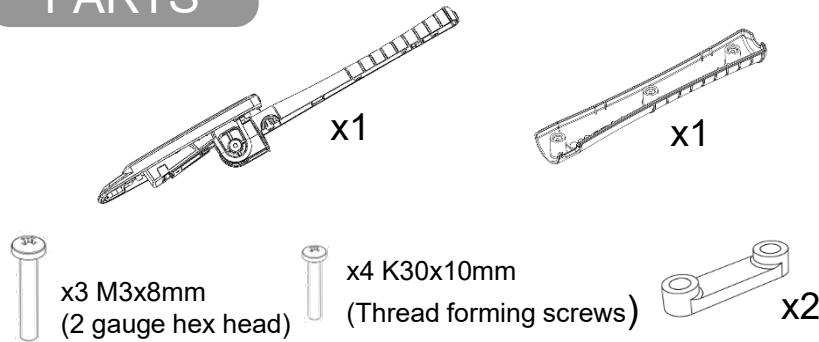
Drive-Thru Handle

Quick Installation Guide

TOOLS



PARTS



1

To fit the backplate/PEDPack to the payment terminal /PINPad, please refer to the PEDPack installation guide specific to your device:

www.tailwind-solutions.com/installguides

Once the PEDPack is installed, fit it to the plinth of the Drive-Thru Handle.

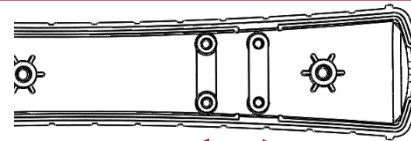


2

Route cable(s) as shown, around the main screw bosses, leaving a small loop of cable here * (service loop) to avoid over-stretching the cables.




Hand tighten K30 thread-forming screws for the cable clamps. Use one or both clamps depending on cabling.



Clamp boss for small cables 1.5-4mm

Clamp boss for large cables 4-7mm

Use cable clamp either way up depending on cable thickness.

 Torque: Hand Tight

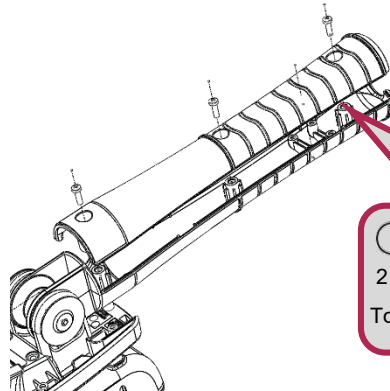



NOTE: Take care not to damage cables!
Cable clamps should hold cables in place but NOT put excess pressure on the cables

3

Fit the back casing making sure the two halves are mated correctly and no cables are trapped between the bosses.

Screw in the 3 M3x8 hex screws hand tight until back casing is firmly connected.



 2 gauge hex head
Torque: Hand Tight until firmly connected

IMPORTANT NOTE:

Do **NOT** pivot Drive-Thru Plinth. The Drive-Thru Handle and plinth must be kept in line in order to be docked to the wall mount.

If retorquing do **NOT** overtighten

Torque to 1.3NM