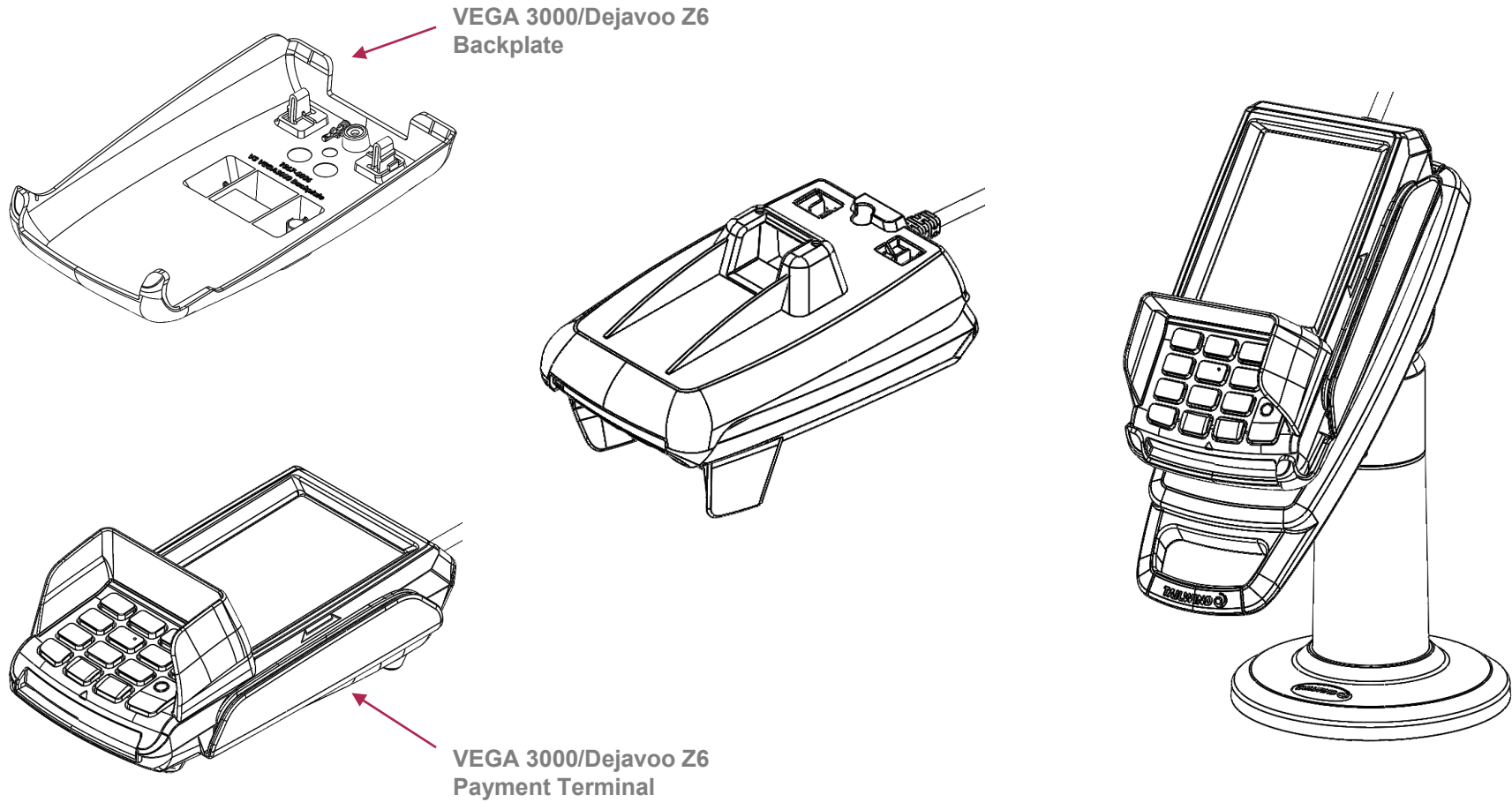


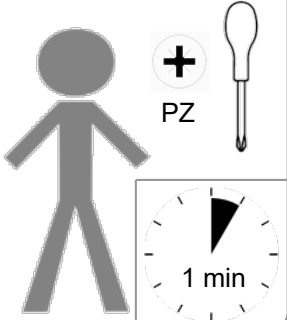
## Quick Installation Guide



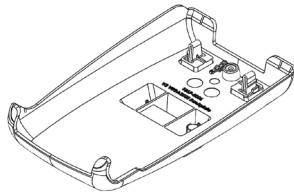
# Castles VEGA 3000/Dejavoo Z6 Backplate

Quick Installation Guide

## TOOLS



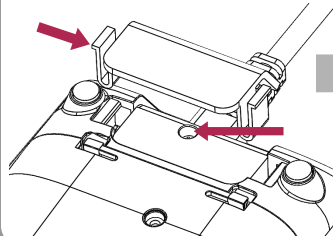
## PARTS



1x VEGA3000 Backplate  
1x M2x10mm Screw

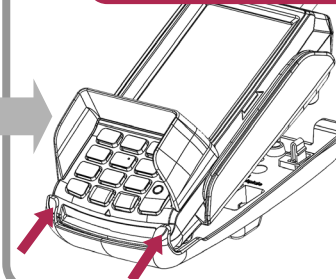
1

Remove cable cover and screw then store safely



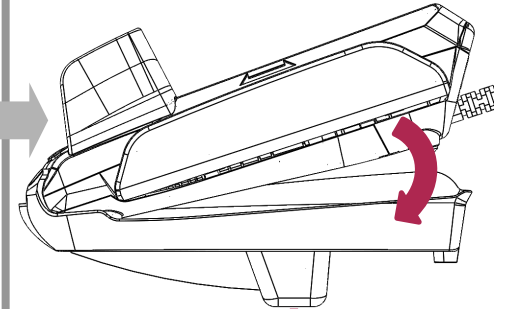
2

Hook front of terminal into the Backplate as shown below



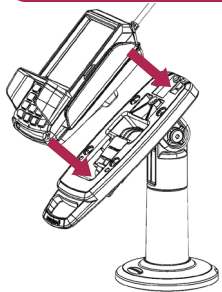
3

Rotate terminal into Backplate



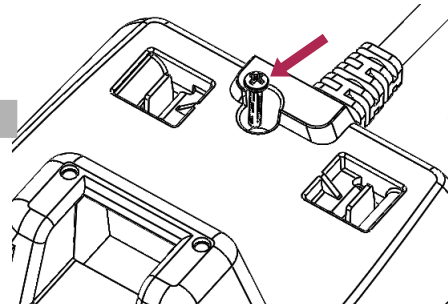
6

Fit terminal onto stand. Press firmly until click.



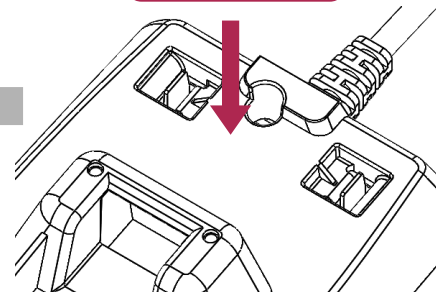
5

Fit screw provided

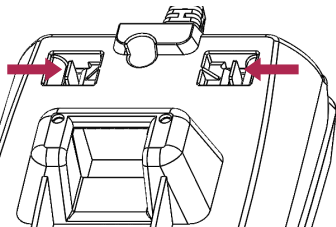


4

Press firmly until 2 clicks are heard



To take backplate off remove screw then squeeze clips together and pull Backplate

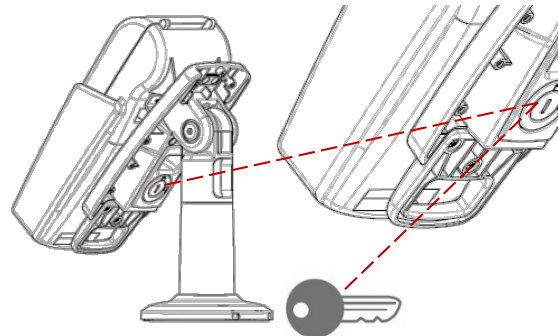


## OPTIONAL

### SAFEBASE OPTION

To lock device, turn key clockwise then remove key.

To unlock, turn counter-clockwise.



To remove device

