

FlexiPole Compact UPM for Ingenico Lane Series

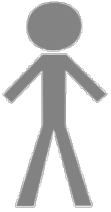
Quick Installation Guide

TOOLS

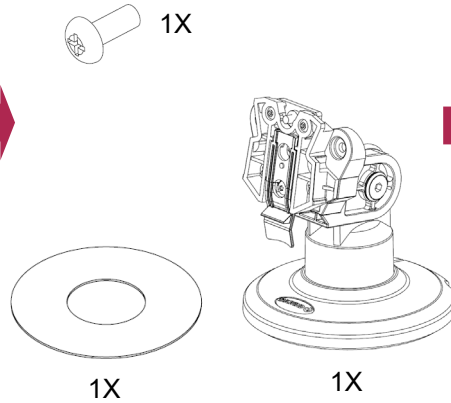
- 1) **Phillips screwdriver**
- 2) **Drill if mounting to surface with screws**

Note

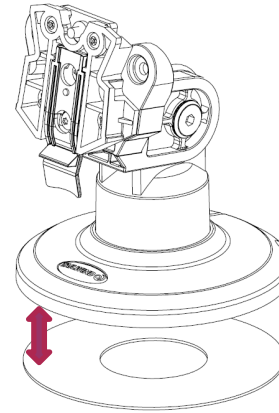
No drill required if using adhesive pad provided.



PARTS

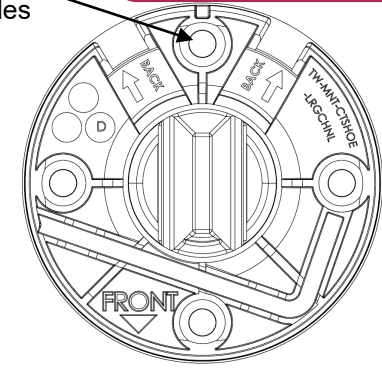


OPTION A – Countertop Mount



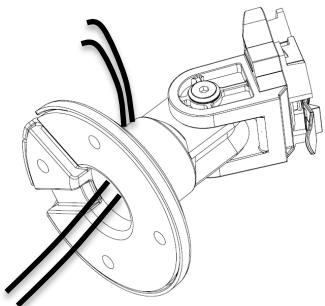
4 x 7mm
Mounting Holes

Note
For screw or wall mount – use drill template supplied. Drill/screwdriver will be required. Use qualified personnel.



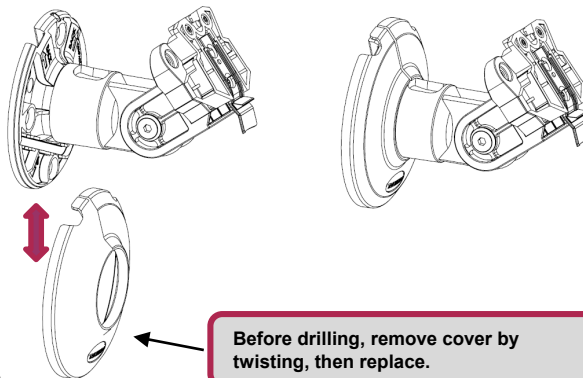
Top View

Route Cable



If routing cables through pole

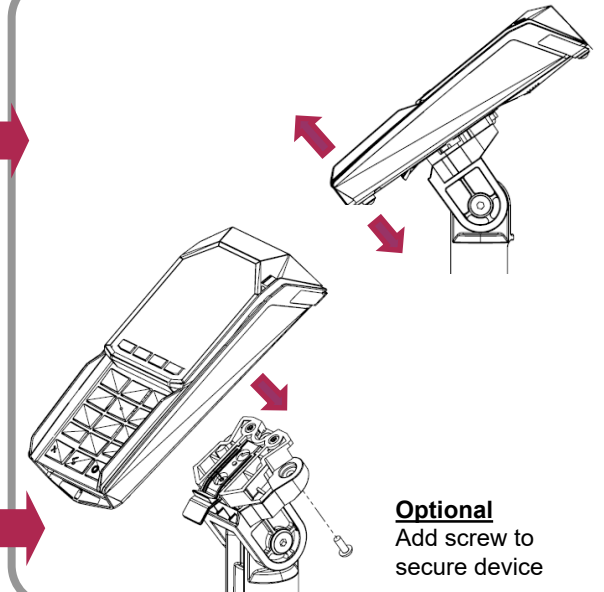
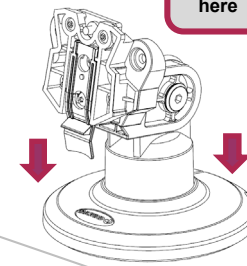
OPTION B - Wall Mount



Before drilling, remove cover by twisting, then replace.

A

**PUSH
down
here**



Optional
Add screw to
secure device