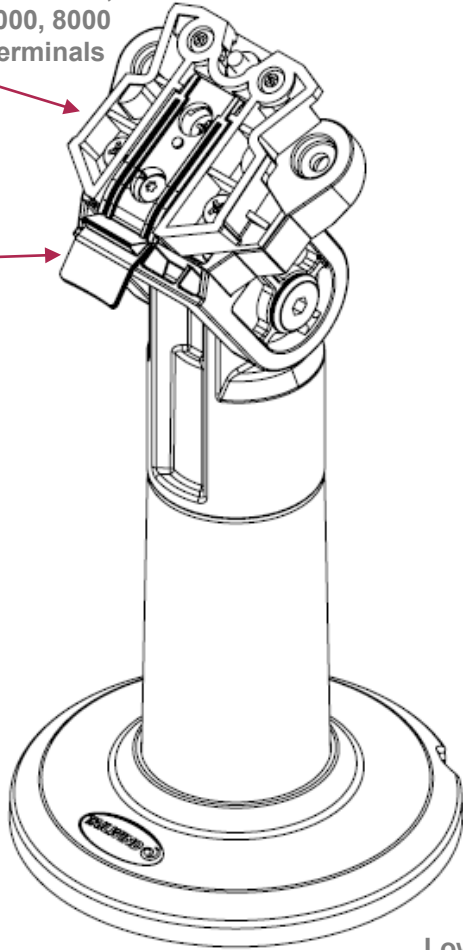


Quick Installation Guide

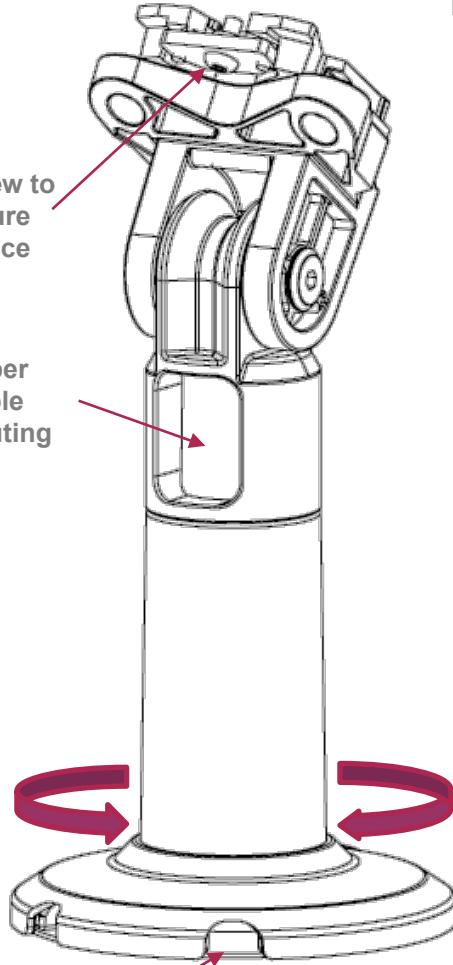
Universal Payment Mount (UPM) for Ingenico Lane 3000, 5000 v.2, 7000, 8000 Payment Terminals

UPM Release Tab



Screw to secure Device

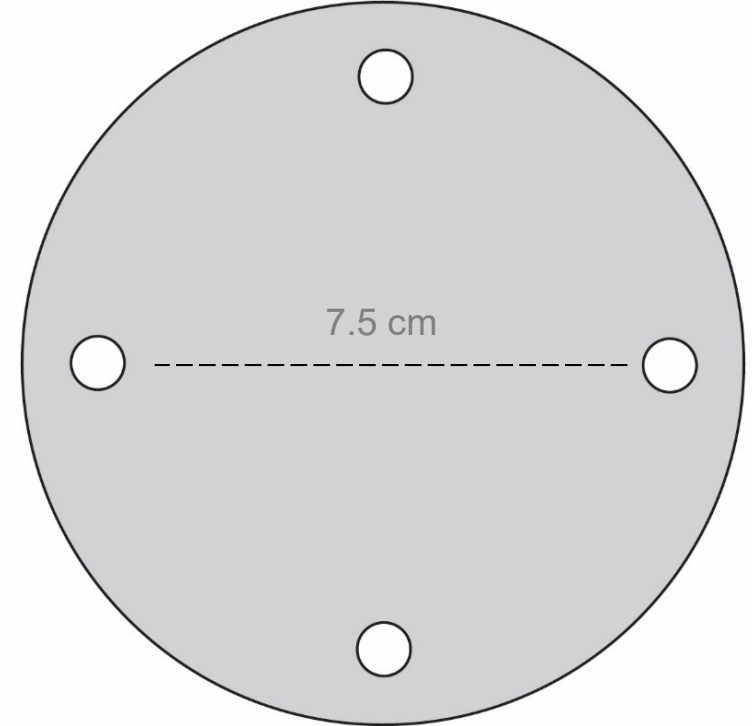
Upper Cable Routing



Lower Cable Routing

DRILL TEMPLATE

CABLES



CUSTOMER

FlexiPole Complete UPM for Ingenico Lane Series

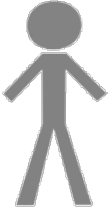
Quick Installation Guide

TOOLS

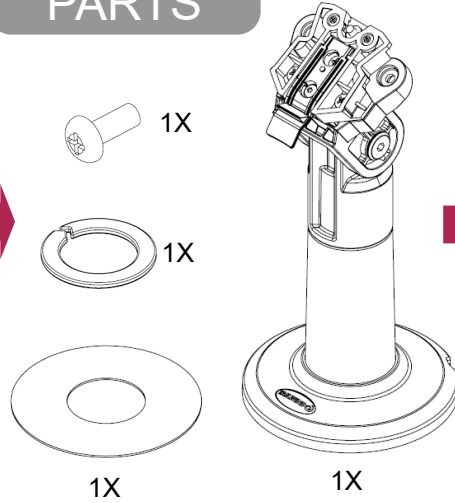
- 1) Phillips screwdriver
- 2) Drill if mounting to surface with screws

Note

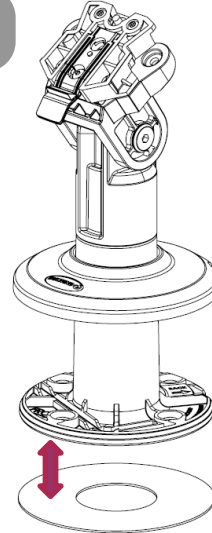
No drill required if using adhesive pad provided.



PARTS



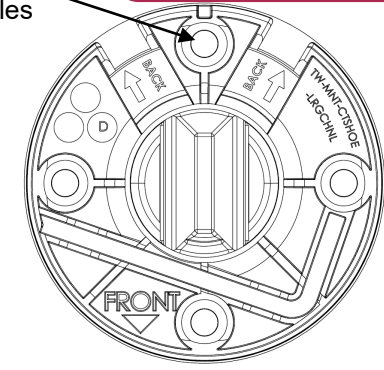
1



4 x 7mm
Mounting Holes

Note

For screw mount – use drill template supplied. Drill/screwdriver will be required. Use qualified personnel.

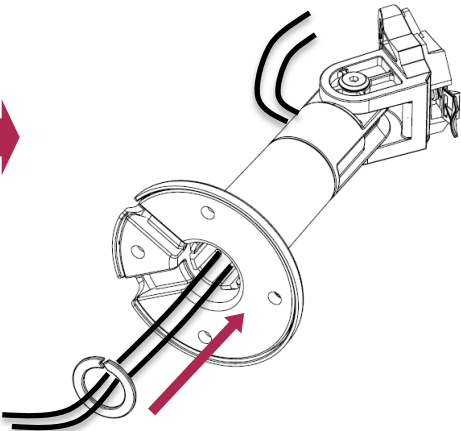


Top View

2

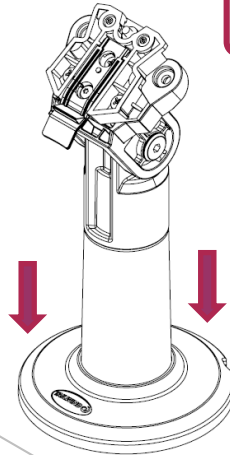
Optional

Use washer as shown, if routing cables through pole.



3

PUSH down here



4

Optional

Add screw to secure device

