

FlexiGrip

Quick Installation Guide

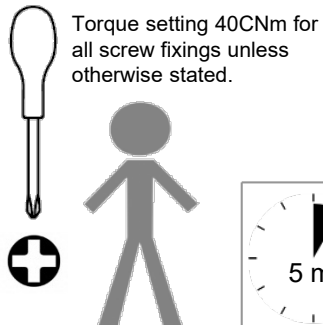
FlexiGrip

Quick Installation Guide

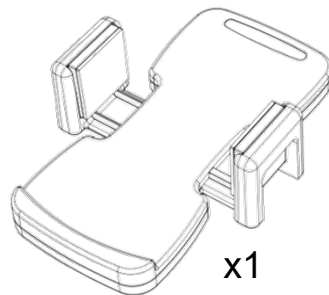
Revision D

TOOLS

RECOMMENDED

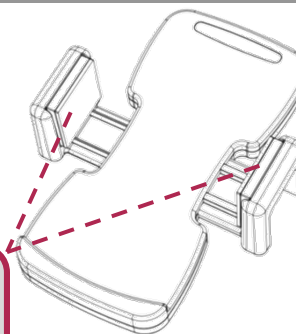


PARTS



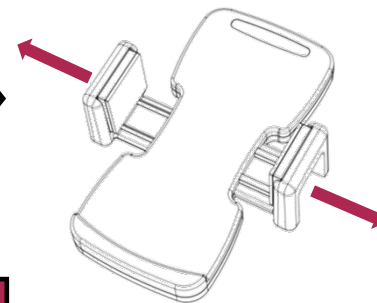
1

IMPORTANT
Firstly peel off plastic protective backing from both pads



2

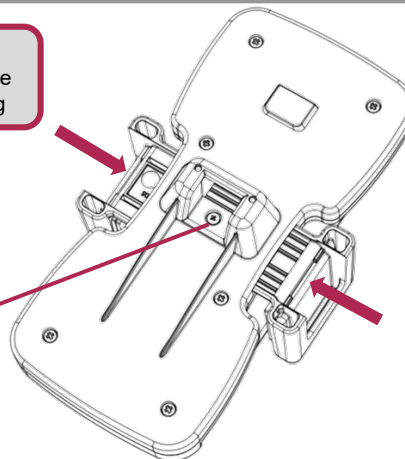
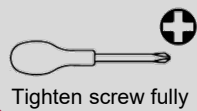
IMPORTANT
Pull arms apart



4

OPTIONAL
For more secure grip of PED, tighten screw clockwise with screwdriver

IMPORTANT
Grip tightly here while screwing



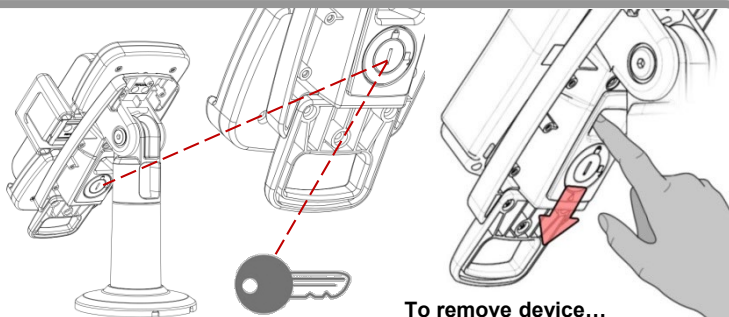
3

IMPORTANT
Push arms together as tightly as possible after placing PED in FlexiGrip



5

OPTIONAL
If locking device, turn key then remove to secure.
To unlock, first ensure key fitted.



To remove device...

