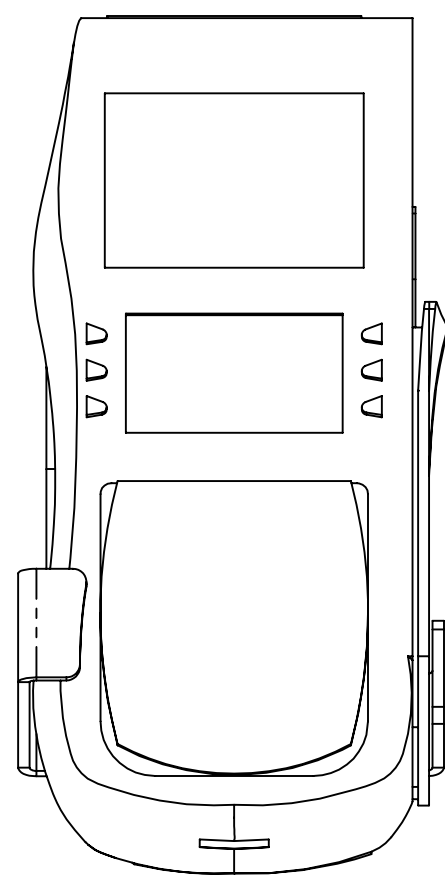
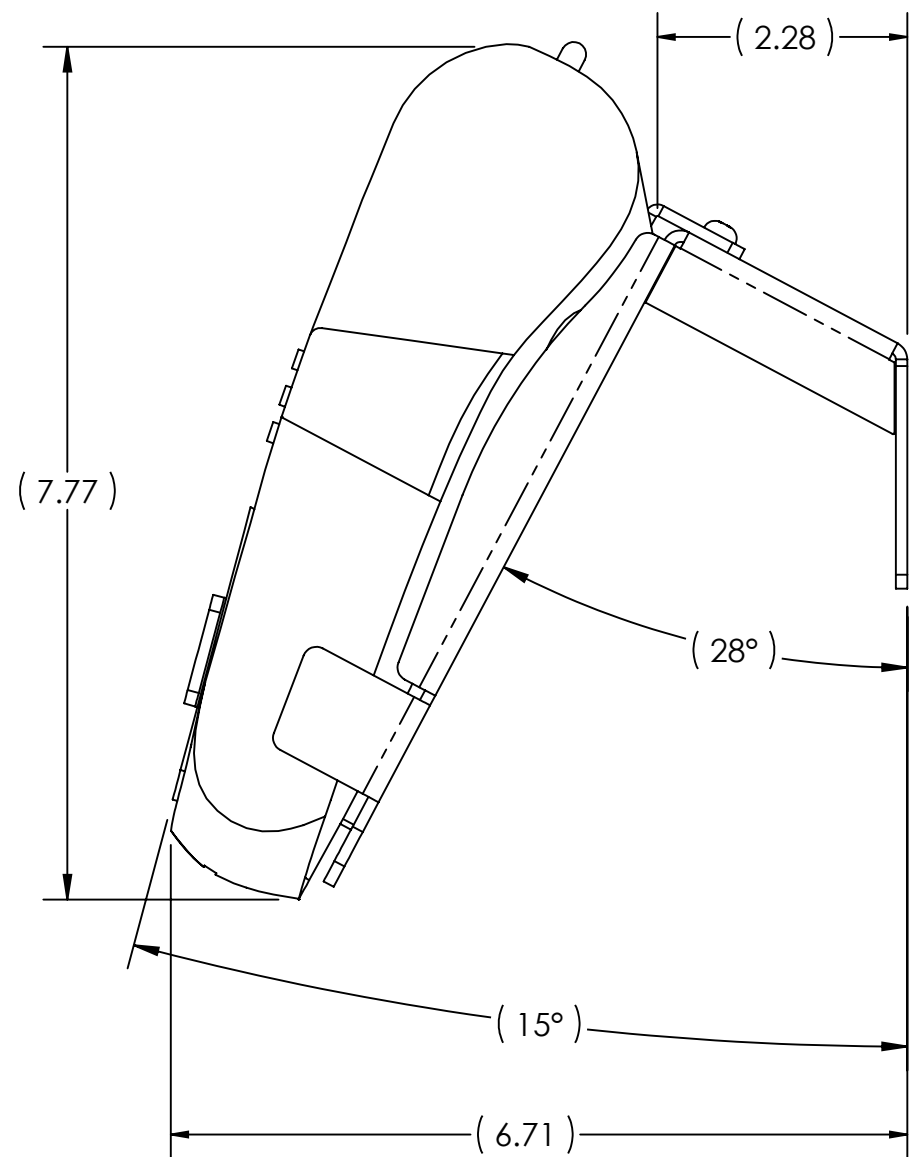


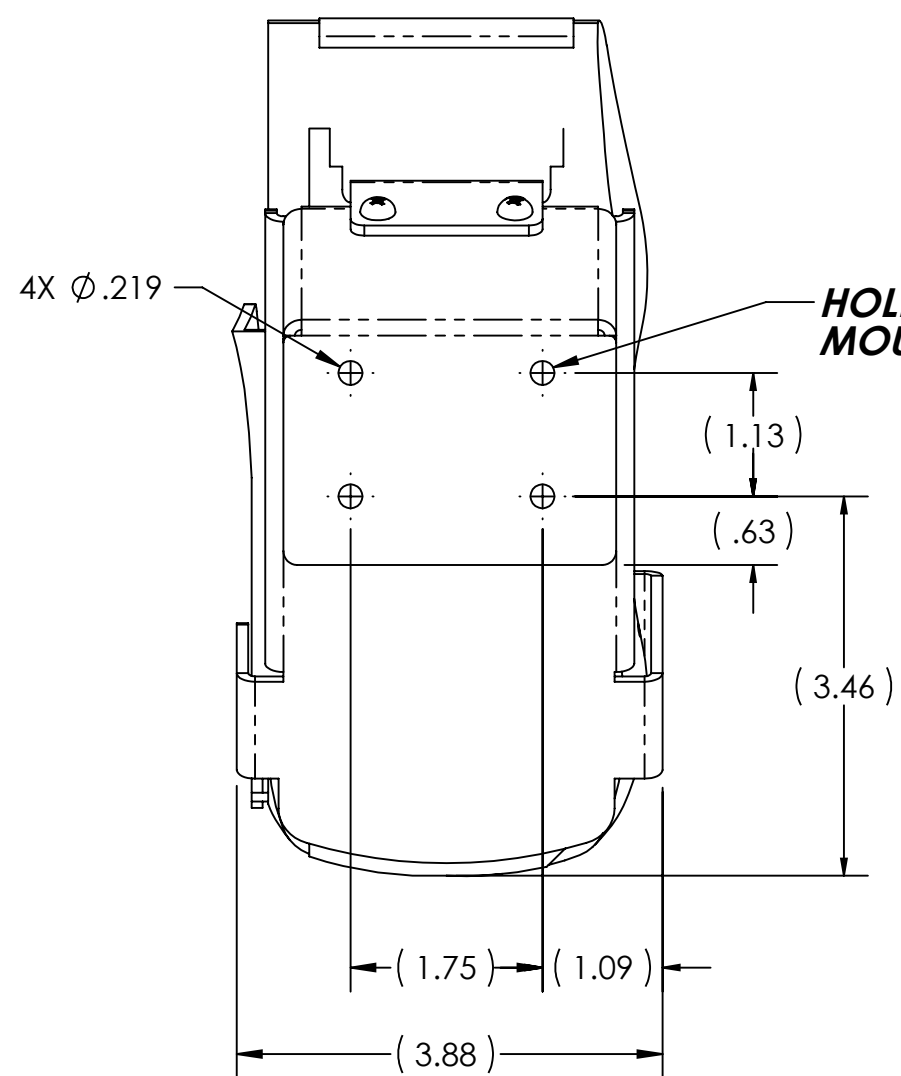
TOP VIEW



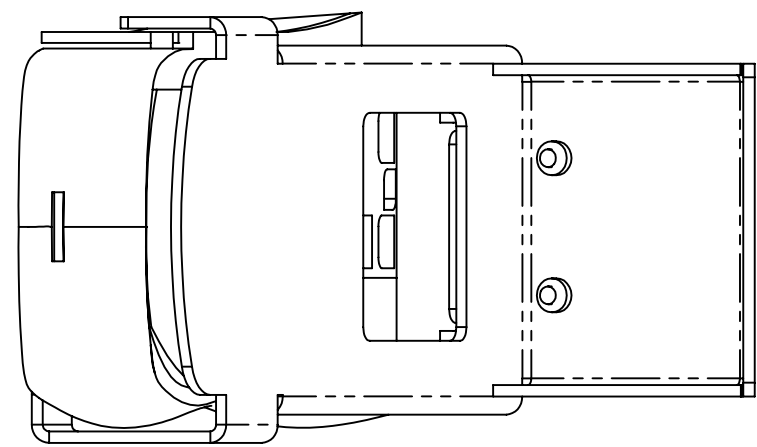
FRONT VIEW



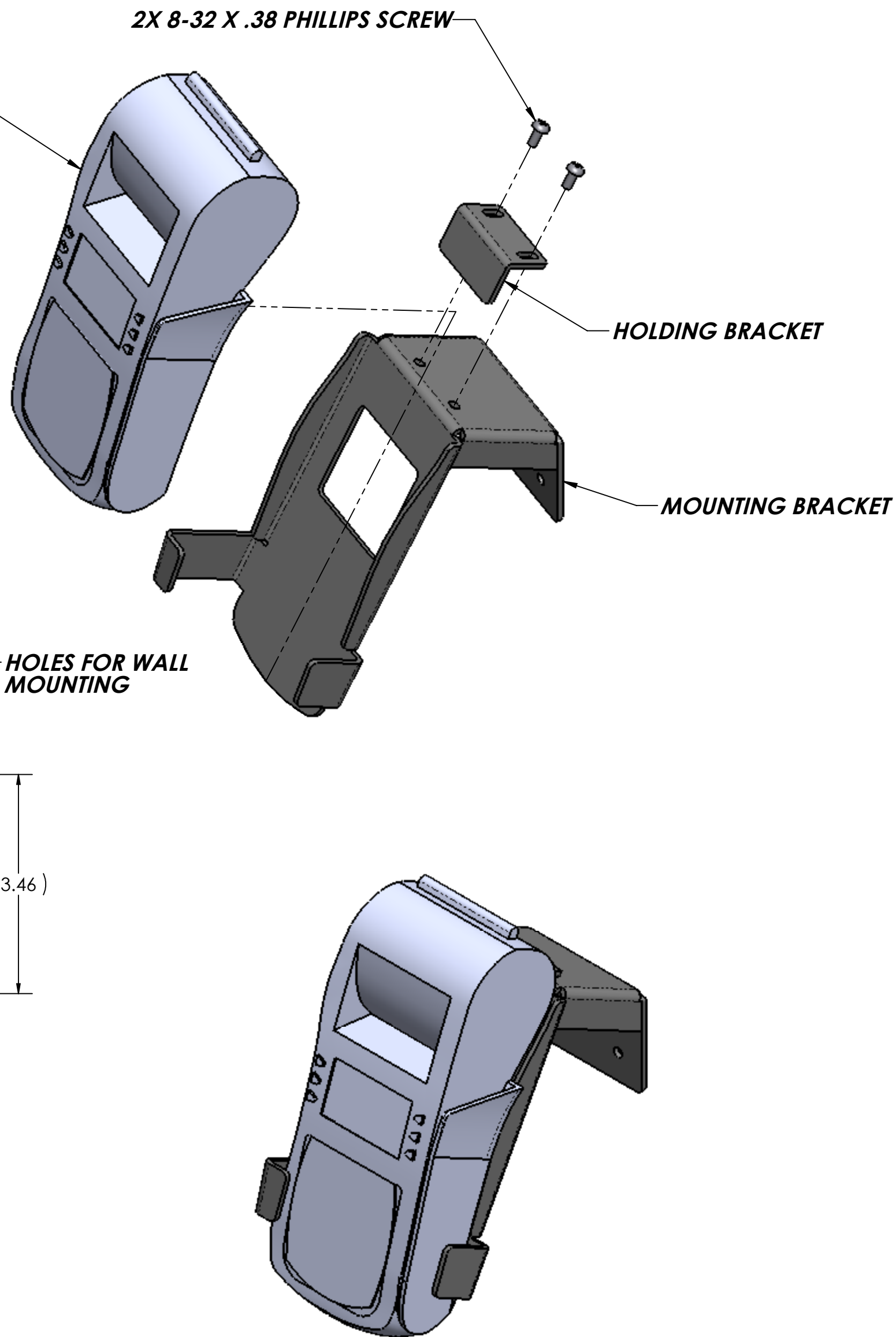
SIDE VIEW



BACK VIEW



BOTTOM VIEW



THE INFORMATION CONTAINED IN THIS DRAWING IS THE SOLE PROPERTY OF ENGINEERED NETWORK SYSTEMS AND REPRODUCTION IN PART OR IN WHOLE WITHOUT THE WRITTEN PERMISSION OF ENGINEERED NETWORK SYSTEMS IS PROHIBITED.



Engineered Network Systems, Inc.
 CUSTOMER VERIFICATION AND AUTHORIZATION

REV.	DESCRIPTION	DATE	BY	CHK'D
A	RELEASED FOR PROTOTYPE	9/23/09	CDB	
DRAWN	C. BENSON			
DATE	9/23/09			
CUSTOMER APPROVAL (SIGNATURE REQUIRED):				
DATE	SIZE	DWG. NO.	REV.	
	C	367-1622	A	
SHEET 1 OF 1				

Engineered Network Systems, Inc.
 14451 Ewing Ave. Suite 100
 Phone: 952-767-1005
 Barnsville, MN 55306
 Fax: 952-767-1006

TITLE
 STAND, WALL MOUNT, FIXED ANGLE,
 HYPERCOM T4200